

FPM-3190 Series

**Industrial Flat Panel
Monitor with 19" TFT
LCD Display**

User Manual

Copyright

This document is copyrighted by Advantech Co., Ltd. 2005. All rights are reserved. Advantech Co., Ltd. reserves the right to make improvements to the products described in this manual at any time. Specifications are thus subject to change without notice.

No part of this manual may be reproduced, copied, translated, or transmitted in any form or by any means without the prior written permission of Advantech Co., Ltd. Information provided in this manual is intended to be accurate and reliable. However, Advantech Co., Ltd., assumes no responsibility for its use, nor for any infringements upon the rights of third parties which may result from its use.

All brand and product names mentioned herein are trademarks or registered trademarks of their respective holders.

This Manual Covers the Following Models

- FPM-3191GA
- FPM-3191GA-R
- FPM-3191GA-C

FCC Class B

This equipment has been tested and found to comply with the limits for a Class B digital device, pursuant to Part 15 of the FCC Rules. These limits are designed to provide reasonable protection against harmful interference when the equipment is operated in a residential environment. This equipment generates, uses and can radiate radio frequency energy. If not installed and used in accordance with this user's manual, it may cause harmful interference to radio communications. Note that even when this equipment is installed and used in accordance with this user's manual, there is still no guarantee that interference will not occur. If this equipment is believed to be causing harmful interference to radio or television reception, this can be determined by turning the equipment on and off. If the interference is occurring, the user is encouraged to try to correct the interference by one or more of the following measures:

- Reorient or relocate the receiving antenna
- Increase the separation between the equipment and the receiver
- Connect the equipment to a power outlet on a circuit different from that to which the receiver is connected
- Consult the dealer or an experienced radio/TV technician for help

Part No. 2003319001
Printed in Taiwan

2nd Edition
January 2005

Additional Information and Assistance

1. Visit the Advantech web site at **www.advantech.com** where you can find the latest information about the product.
2. Contact your distributor, sales representative, or Advantech's customer service center for technical support if you need additional assistance. Please have the following information ready before you call:
 - Product name and serial number
 - Description of your peripheral attachments
 - Description of your software (operating system, version, application software, etc.)
 - A complete description of the problem
 - The exact wording of any error messages

Safety Instructions

1. Read these safety instructions carefully.
2. Keep this User's Manual for later reference.
3. Disconnect this equipment from any AC outlet before cleaning. Use a damp cloth. Do not use liquid or spray detergents for cleaning.
4. For plug-in equipment, the power outlet socket must be located near the equipment and must be easily accessible.
5. Keep this equipment away from humidity.
6. Put this equipment on a reliable surface during installation. Dropping it or letting it fall may cause damage.
7. The openings on the enclosure are for air convection. Protect the equipment from overheating. **DO NOT COVER THE OPENINGS.**
8. Make sure the voltage of the power source is correct before connecting the equipment to the power outlet.
9. Position the power cord so that people cannot step on it. Do not place anything over the power cord.
10. All cautions and warnings on the equipment should be noted.

11. If the equipment is not used for a long time, disconnect it from the power source to avoid damage by transient overvoltage.
12. Never pour any liquid into an opening. This may cause fire or electrical shock.
13. Never open the equipment. For safety reasons, the equipment should be opened only by qualified service personnel.
14. If one of the following situations arises, get the equipment checked by service personnel:
 - a. The power cord or plug is damaged.
 - b. Liquid has penetrated into the equipment.
 - c. The equipment has been exposed to moisture.
 - d. The equipment does not work well, or you cannot get it to work according to the user's manual.
 - e. The equipment has been dropped and damaged.
 - f. The equipment has obvious signs of breakage.
15. DO NOT LEAVE THIS EQUIPMENT IN AN UNCONTROLLED ENVIRONMENT WHERE THE STORAGE TEMPERATURE IS BELOW -20° C (-4° F) OR ABOVE 60° C (140° F). THIS MAY DAMAGE THE EQUIPMENT.

The sound pressure level at the operator's position according to IEC 704-1:1982 is no more than 70dB(A).

DISCLAIMER: This set of instructions is given according to IEC 704-1. Advantech disclaims all responsibility for the accuracy of any statements contained herein.

Wichtige Sicherheitshinweise

1. Bitte lesen sie Sich diese Hinweise sorgfältig durch.
2. Heben Sie diese Anleitung für den späteren Gebrauch auf.
3. Vor jedem Reinigen ist das Gerät vom Stromnetz zu trennen. Verwenden Sie Keine Flüssig-oder Aerosolreiniger. Am besten dient ein angefeuchtetes Tuch zur Reinigung.
4. Die NetzanschlusBsteckdose soll nahe dem Gerät angebracht und leicht zugänglich sein.
5. Das Gerät ist vor Feuchtigkeit zu schützen.
6. Bei der Aufstellung des Gerätes ist auf sicheren Stand zu achten. Ein Kippen oder Fallen könnte Verletzungen hervorrufen.
7. Die Belüftungsöffnungen dienen zur Luftzirkulation die das Gerät vor überhit-zung schützt. Sorgen Sie dafür, daB diese Öffnungen nicht abgedeckt werden.
8. Beachten Sie beim. AnschluB an das Stromnetz die AnschluBwerte.
9. Verlegen Sie die NetzanschlusBleitung so, daB niemand darüber fallen kann. Es sollte auch nichts auf der Leitung abgestellt werden.
10. Alle Hinweise und Warnungen die sich am Geräten befinden sind zu beachten.

11. Wird das Gerät über einen längeren Zeitraum nicht benutzt, sollten Sie es vom Stromnetz trennen. Somit wird im Falle einer Überspannung eine Beschädigung vermieden.

12. Durch die Lüftungsöffnungen dürfen niemals Gegenstände oder Flüssigkeiten in das Gerät gelangen. Dies könnte einen Brand bzw. elektrischen Schlag auslösen.

13. Öffnen Sie niemals das Gerät. Das Gerät darf aus Gründen der elektrischen Sicherheit nur von autorisiertem Servicepersonal geöffnet werden.

14. Wenn folgende Situationen auftreten ist das Gerät vom Stromnetz zu trennen und von einer qualifizierten Servicestelle zu überprüfen:

a - Netzkabel oder Netzstecker sind beschädigt.

b - Flüssigkeit ist in das Gerät eingedrungen.

c - Das Gerät war Feuchtigkeit ausgesetzt.

d - Wenn das Gerät nicht der Bedienungsanleitung entsprechend funktioniert oder Sie mit Hilfe dieser Anleitung keine Verbesserung erzielen.

e - Das Gerät ist gefallen und/oder das Gehäuse ist beschädigt.

f - Wenn das Gerät deutliche Anzeichen eines Defektes aufweist.

Der arbeitsplatzbezogene Schalldruckpegel nach DIN 45 635 Teil 1000 beträgt 70dB(A) oder weiger.

DISCLAIMER: This set of instructions is given according to IEC704-1. Advantech disclaims all responsibility for the accuracy of any statements contained herein.

Contents

Chapter 1	Introduction	2
1.1	Introduction	2
1.2	Specifications	2
1.3	LCD Specifications	3
1.4	Connectors.....	4
1.5	Dimensions.....	5
	Figure 1.1:FPM-3190 Cut-out Dimensions	5
Chapter 2	System Setup.....	8
2.1	Mounting the Monitor	8
2.1.1	Wall Mounting.....	8
	Figure 2.1:Wall Mounting	8
2.1.2	Panel Mounting.....	9
	Figure 2.2:Panel Mounting	9
2.1.3	Rack Mounting	10
	Figure 2.3:Rack Mounting.....	10
2.2	Desktop, Swingarm Mounting	11
2.2.1	Desktop Stand.....	11
	Figure 2.4:Desktop Stand for the FPM-3190 series	11
2.2.2	Swing-ARM.....	12
	Figure 2.5:Swing-ARM for the FPM-3190 series	12
Appendix A	Touchscreen Installation	14
A.1	Introduction	14
A.1.1	Resistive Type.....	14
A.1.2	Capacitive Type.....	15
A.2	Installation of Resistive Touchscreen Driver	17
A.3	Configuring PenMount Windows 2000/XP Driver.....	21
A.4	Installation of Capacitive Touchscreen Driver.....	33
Appendix B	Supported Input Timing Modes	36
B.1	Supported Input Timing Modes	36
Appendix C	OSD Operation Keypad.....	38
C.1	OSD Operation Keypad	38
C.2	OSD Function.....	39

Introduction

This chapter includes:

- Introduction
- Specifications
- LCD Specification
- Connectors
- Dimensions

Chapter 1 Introduction

1.1 Introduction

Advantech's FPM-3190 Series is a 19" color TFT LCD flat panel monitor built specifically for industrial applications. With the optional touchscreen, the FPM-3190 Series is an excellent and user-friendly system control interface.

In addition to its usual application as an LCD panel monitor, the FPM-3190 comes standard with Direct-VGA interface, which connects directly with popular PC VGA cards. With the FPM-3190, Advantech is taking a more aggressive initiative to penetrate the industrial HMI market. Its OSD (On Screen Display) function allows you to adjust the display factors and turn the backlight on and off for the front view, functions which become critical as more and more industrial HMI users become aware of the benefits of flat panel monitors. The whole chassis is of stainless steel, and the front panel is of aluminum with NEMA4/IP65 compliance. An optional stainless steel front panel is also available.

The FPM-3190 Series has an optional resistive (FPM-3191GA-R) and capacitive (FPM-3191GA-C) touchscreen. With a capacitive or resistive touchscreen, the monitor can be immediately transformed into a remote control system.

1.2 Specifications

General

- **Control:** OSD (On Screen Display) control pad on front side
- **Mounting:** Rackmount, panelmount, wallmount and VESA arm mounting
- **Front Panel:** Aluminum, NEMA4/IP65 compliant
- **I/O Ports:** VGA, DC power input and RS-232 port (Touchscreen version only)
- **Power Adapter:** External 60 W power adapter, with AC 100~220 V input and DC +12 V @ 5 A output
- **Operating Temperature:** 0 ~ 50 ° C (32 ~ 122 ° F)
- **Storage Temperature:** -20 ~ 60 ° C (-4 ~ 140 ° F)
- **Storage humidity:** 5 ~ 90% non-condensing

- **Vibration (operating):** 5 ~ 17 Hz, double-amplitude displacement
17 ~ 500 Hz, 1.0 G peak to peak
- **Dimensions:** (W x H x D):482 x 399 x 66 mm (19" x 15.7" x 2.6")
- **Weight:** 9.2 kg (20.3 lb)
- **Certifications:** CE, FCC, BSML, CCC certified

Touchscreen (Optional)

- **Type:** resistive and capacitive sensor
- **Resolution:** 1024 x 1024
- **Light transmission:** 78% (resistive), 88% (capacitive)
- **Operating Pressure:**30~45 gram for stylus, contact bounce < 10 ms
- **Controller:** RS-232 interface
- **Power Consumption:** +5 V @ 200 mA
- **OS Support:** Windows 2000/XP
- **Life Span:** Resistive: 1 million activations (typical) at a single point with a 5/8" diameter silicone finger at 350g load at 2 touches per sec.
Capacitive: 225 million activations (typical) at a single point with a 5/8" diameter silicone finger at 350g load at 2 touches per sec.

1.3 LCD Specifications

- **Display type:** SXGA TFT LCD
- **Display size:** 19"
- **Max colors:** Full color (16.7 million)
- **Max resolution:** 1280 x 1024
- **Dot pitch:** 0.294 x 0.294 mm
- **View Angle:** 170° (H), 170° (V)
- **Luminance:** 300 cd/m² 4 CCFL
- **Storage Temperature:** -20 ~ 60° C (-4 ~ 140 ° F)
- **Operating Temperature:** 0 ~ 50° C (32 ° ~ 122 ° F)
- **Backlight Lifetime:** 50,000 hrs
- **Contrast Ratio:** 700:1

1.4 Connectors

The following connectors are situated on the left hand side of the FPM-3190 Series:

VGA Port (DB-15)

This DB-15 connector can be connected to the system via the external 15-pin DB-15 connector located on the left side of the system unit.

Touchscreen Connector (DB-9) (optional)

This connector will be present only if a touchscreen is installed. It must be connected to the RS-232 port of the PC. The touchscreen cable is included with all orders which include the touchscreen option.

DC 12 V Power in

This connector will be connected to the DC 12V Switching Power Supply.

1.5 Dimensions

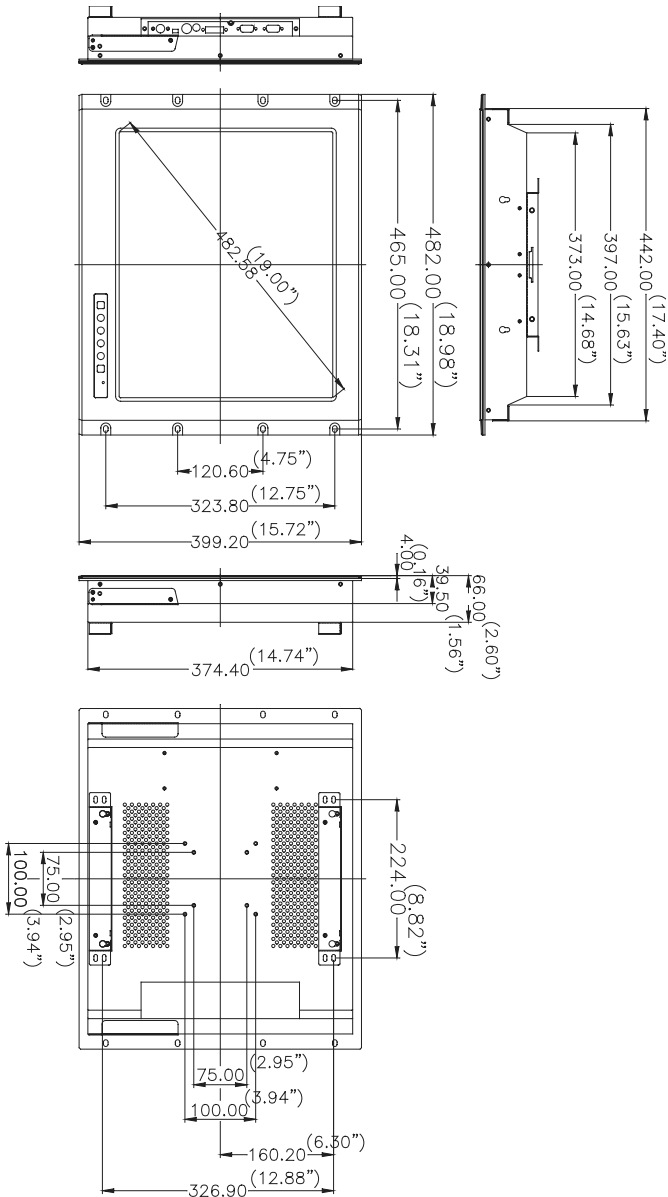


Figure 1.1: FPM-3190 Cut-out Dimensions 444 x 376 mm (17.48" x 14.84")

System Setup

This chapter includes:

- Mounting the Monitor
- Wall/Panel/Rack Mounting
- Desktop Stand/Swing-ARM Mounting

Chapter 2 System Setup

2.1 Mounting the Monitor

The FPM-3190 Series can be placed as you require. The versatility of the FPM-3190 mounts enable it to be mounted on your desk or anywhere else.

2.1.1 Wall Mounting

With wall brackets, the FPM-3190 can be mounted directly to a wall.

If you need to install the FPM-3190 in different ways, release the mounting brackets by detaching the four screws on the rear side.

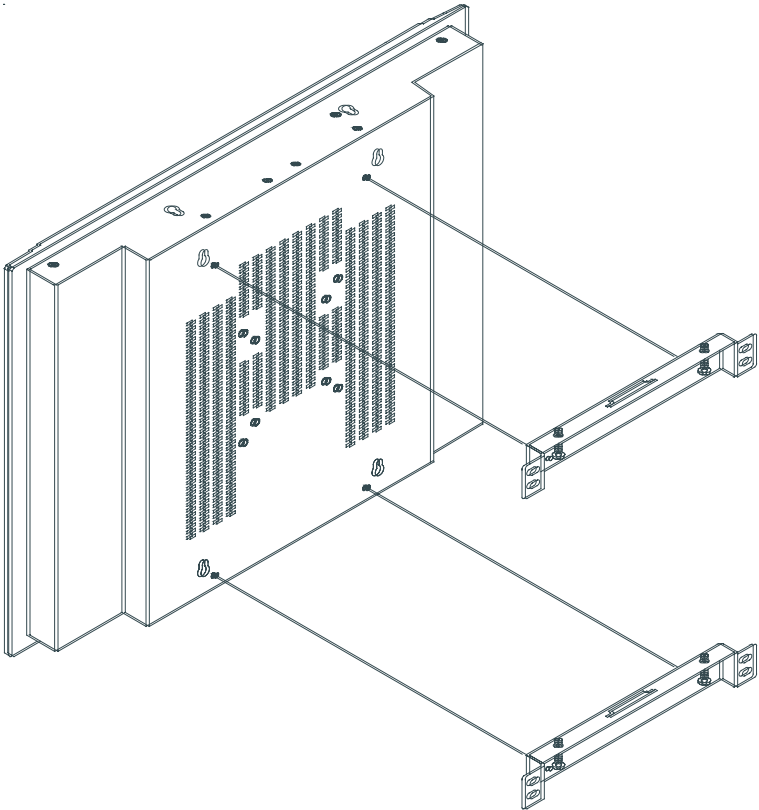


Figure 2.1: Wall Mounting

2.1.2 Panel Mounting

If you need to install the FPM-3190 series on a panel mount, please release the mounting brackets by detaching four screws on rear side and fix them on up and bottom side by screws.

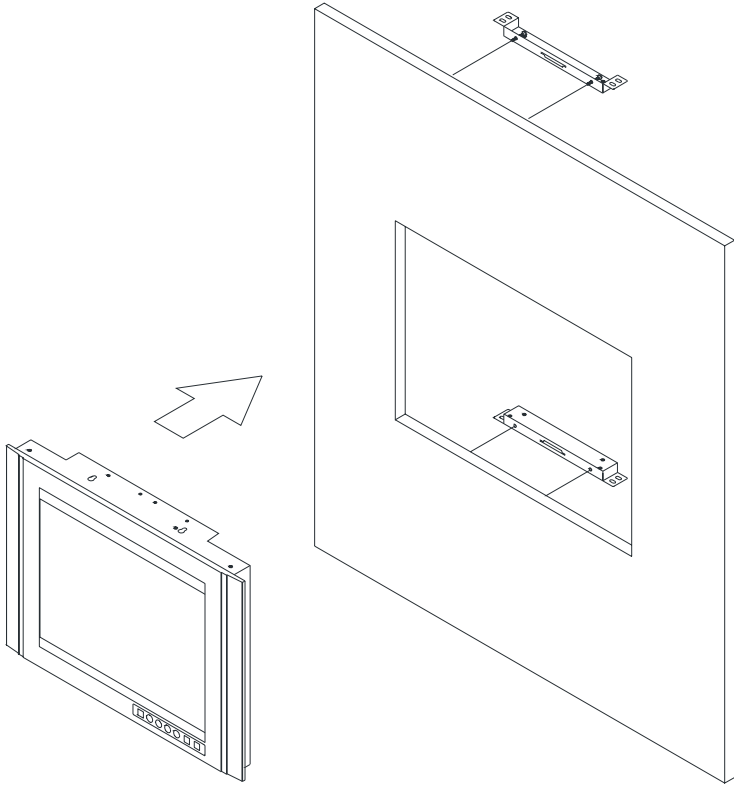


Figure 2.2: Panel Mounting (cut out dimension: 444 mm x 376 mm)

2.1.3 Rack Mounting

FPM-3190 series products could be directly mount to the industrial standard 19" rack. There are four screw holes on each side of the panel.

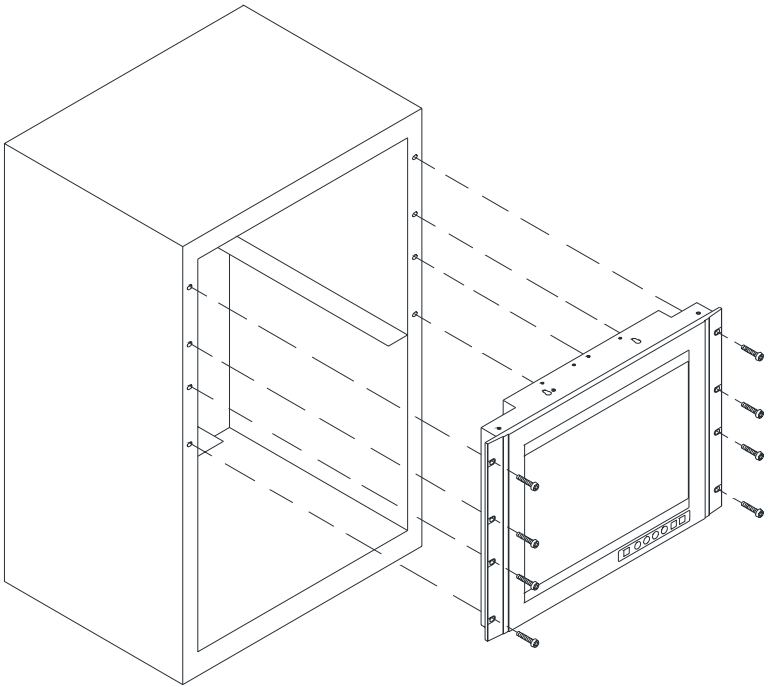


Figure 2.3: Rack Mounting

2.2 Desktop, Swingarm Mounting

The FPM-3190 Series can be mounted in other ways. You can place the desktop stand for desktop use or attach it on a swing-arm bracket.

2.2.1 Desktop Stand

The desktop stand brackets are attached to the rear of FPM-3190. First loosen the screw in point C. Then unscrew the screw in point A. Pull down the bracket and use the screw from point A to fasten the bracket in point B. There should be no screws in point A and point D. Only point B and C.

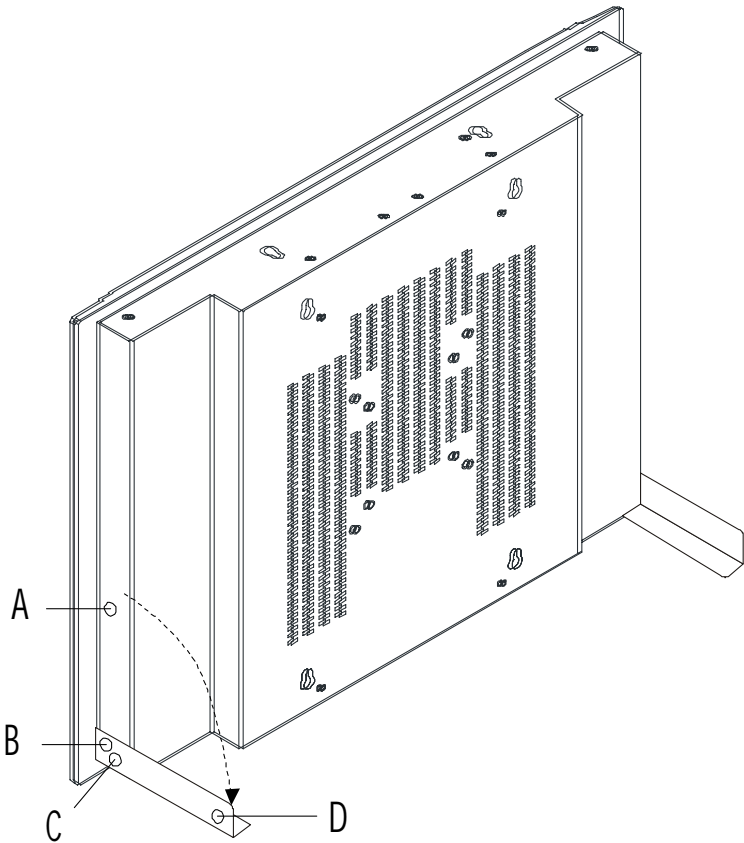


Figure 2.4: Desktop Stand for the FPM-3190 series

2.2.2 Swing-ARM

Detach the mounting brackets on the rear side, then attach the FPM-3190 series onto the Swing-ARM mount (75mm or 100mm square bracket).

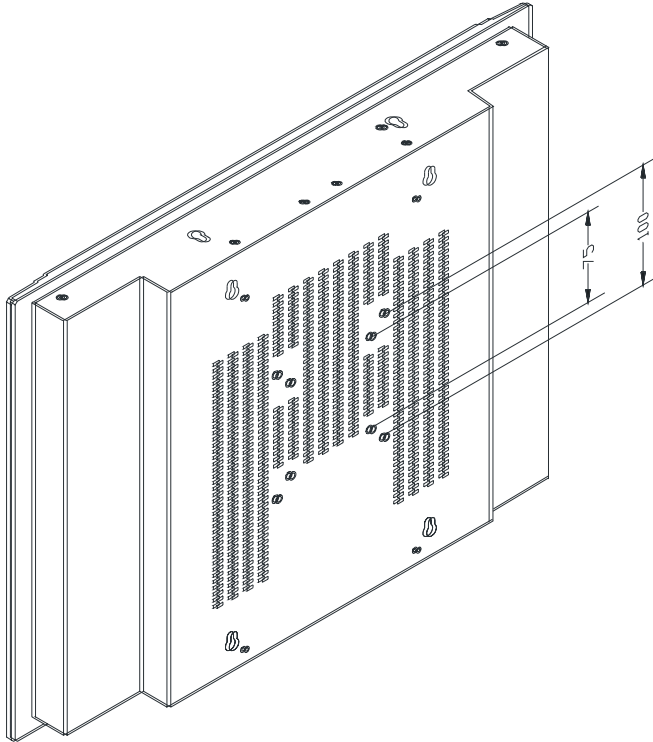


Figure 2.5: Swing-ARM for the FPM-3190 series

Appendix

A

Touchscreen Driver Installation

Appendix A Touchscreen Installation

A.1 Introduction

The FPM-3190 Series' optional touchscreens uses advanced resistive and capacitive technology. They provide more accurate sensing capacity than other technologies. The touchscreen is specially designed for tough industrial environments, and has been approved to FCC Class B standards.

When installing the capacitive touchscreen, please follow appropriate procedures for calibrating and grounding the touchscreen. Please refer to the TouchWare manual on the CD-ROM for details on the installation procedure.

CD-ROM: TouchScreen-DRV\3M TouchWare Driver\TouchWare Software for Windows User Guide_V2.6.pdf

A.1.1 Resistive Type

1. Electrical

Operating Voltage: 2.5V to 5 VDC

Linearity: .c1.5% error

2. Optical

Transmittance: 78%

3. Mechanical

Activation Force: Data is for .004" diameter separator dots on a 0.14" pitch.

Stylus: <25g average wth plastic stylus with 1mm radius.

Finger: <50g average with 5/8" diameter silicone finger

4.Durability

Point Activation: Data is for .004" diameter separator dots on a 0.14" pitch.

1 Million activations (typical) at a single point with a 5/8" diameter silicone finger with a 350g load at 2 touches per second.

Gouge Hardness: \geq 4H per ASTM D3363-92 and ASTM D3363-92

5.Chemical Resistance

The touch screen surface finish is unaffected by exposure to the following chemicals for a period of one hour at 22..C, 45% relative humidity. ASTM-F-1598-95.

Tea, Coffee, Ketchup, Mustard, Vinegar, Beer, Coca-Cola, Red Wine, Cooking Oil, Wisk Laundry Detergent, Fantastik All Purpose Cleaner, Joy Dishwashing Liquid, Windex, Formula 409 Cleaner, Clorox Bleach (5.25%), Hydrogen Peroxide (3%), Lysol, Ethyl Alcohol, Isopropyl Alcohol Acetone, Methyl Ethyl Ketone (MEK), Toluene, Concentrated Hydrochloric Acid, Naptha, Mineral Spirits, Gasoline, 10W30 Motor Oil, Diesel Fuel, Transmission Fluid, Brake Fluid, Antifreeze, Hydraulic Oil.

A.1.2 Capacitive Type

Electrical

Input Method: Finger. TouchPen available with qualified sensor, attachments and electronics

Accuracy and Precision Area: Reported touch coordinates are within 1.0% of true position (based on viewing area dimensions) when linearized and used in conjunction with 3M Touch Systems electronics.

Optical

Touch Screen Resolution: 1024 x 1024 or greater touch point per axis within the calibrated area.

Optical Clarity: Up to 88% light transmission at 550 nm; dependant on specific surface finish choosen.

Mechanical

Linearization: Factory linearization values are stored in the touch-screen NOVRAM, attached controller or 2D bar-code

Touch Contact Requirement: 3 ms for finger input.

Glass Thickness: 0.125" (± 0.01 ") / 3.18mm ($\pm .25$ mm) typical. (Glass only, not including tape, wires and solder if used)

Surface Scratch Hardness: Can not be scratched using any stylus with Mohs' rating of less than 6.5. Exceeds severe abrasion test per MIL-C-675C. Withstands 10,500 grams of force per Balance Beam Scrape Adhesion Mar Tester. MicroScratch tester with 10 micron radius tungsten carbide indenter takes a force of 1.8 Newtons.

NEMA Rating: NEMA sealable.

Gasketing: Complete water-resistant seal obtainable with polyethylene gasket.

Cleaning: Water, isopropyl alcohol, and similar non-abrasive cleaners.

Reliability

Endurance Test: A capacitive sensor with Industrial etch has been tested in a laboratory environment to withstand over 225 million mechanical touches without noticeable degradation to the surface.

Surface Obstructions: Touch screen's operation unaffected by surface obstructions such as dirt, dust, grease, smoke, peanut butter, etc.

Chemical Resistance: Capacitive sensor is highly resistant to corrosives, in accordance with ASTM-D-1308-87 (1993) and ASTM-D-F-1598-95.

Liquid Resistance: Liquids on screen do not impede touchscreen performance.

Liquid Repellence: Contact angle of 94° and greater measured using Sessile Drop Contact Angle Method. This renders the screen extremely water repellent.

Operating Temperature Range: -15 to 70°C for touch screen.

Storage Temperature: Always store the touch screen sensor in its original shipping container between -50 and 85°C (MIL-STD-810E). Never store touch sensors where condensation may form.

A.2 Installation of Resistive Touchscreen Driver

The resistive touchscreen in the FPM-3190 Series provides drivers for use with Windows 2000 and XP. For the detailed installation procedure for the resistive touchscreen drivers, please refer to the CD-ROM Touch-Screen-DRV\Penmount 9000(resistive) folder.

Note 1: The following windows illustrations are examples only. You must follow the flow chart instructions and pay attention to the instructions which then appear on your screen.

Before installing the Windows 2000/XP driver software, you must have the Windows 2000/XP system installed and running on your computer. You must also have one of the following PenMount Serial Interface controller boards installed: 90A4, 9026B, 9036 or 9084. Contents of the PenMount Windows 2000/XP driver folder are listed below.

DMC9000.inf

DMC9000.sys

DMC9000.cat

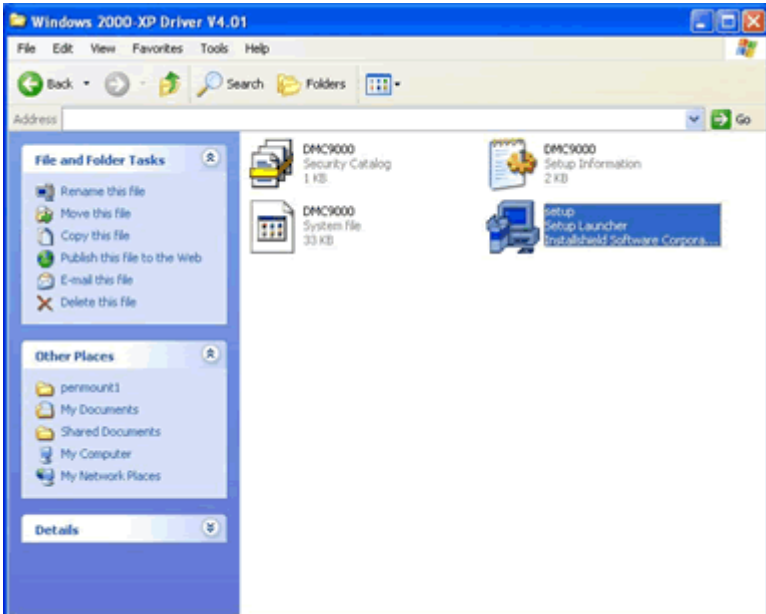
SETUP.EXE

If you have an older version of the PenMount Windows 2000/XP driver installed in your system, please remove it first. Follow the steps below to install the PenMount Windows 2000/XP driver.

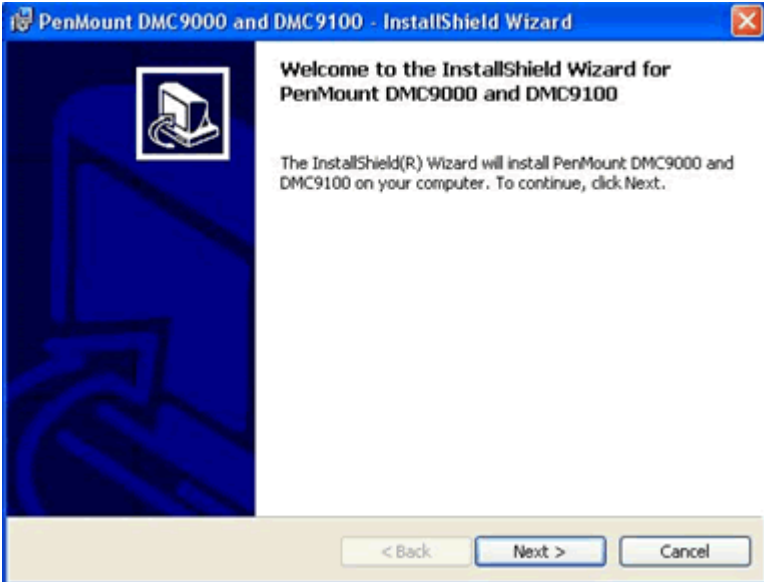
1. When the system first detects the controller board, a screen appears that shows “Unknown Device.” Do not use this hardware wizard. Press Cancel.



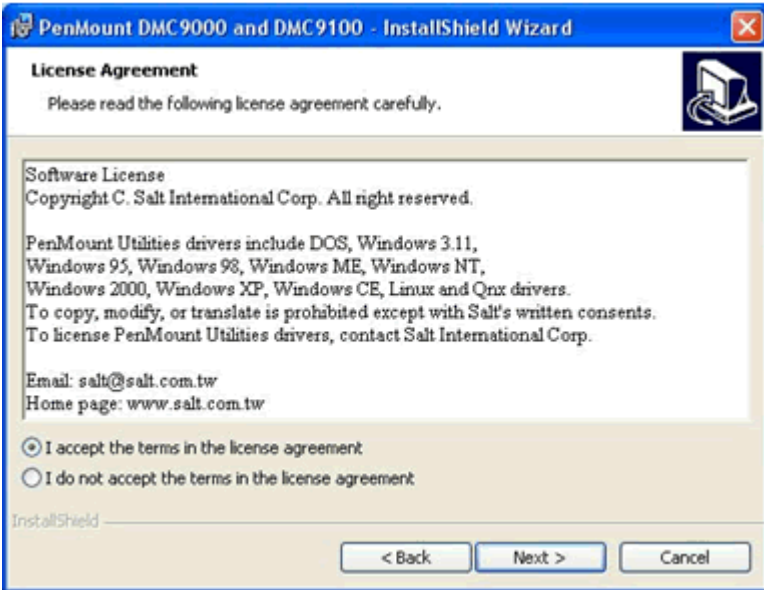
2. Insert the PenMount Driver CD-ROM. Go to the Windows 2000-XP Driver folder. Click **setup.exe**.



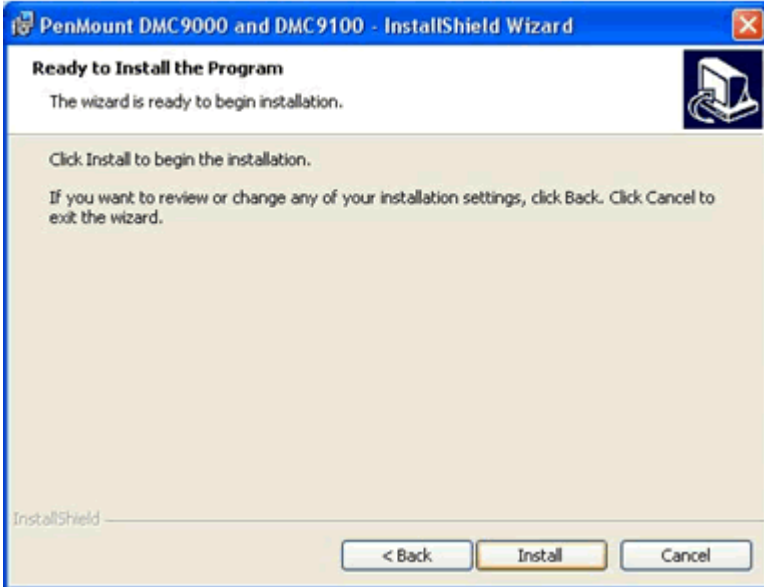
- The screen displays the installation wizard for the PenMount software. Click “Next”.



- A License Agreement appears. Click “I accept...” and “Next”



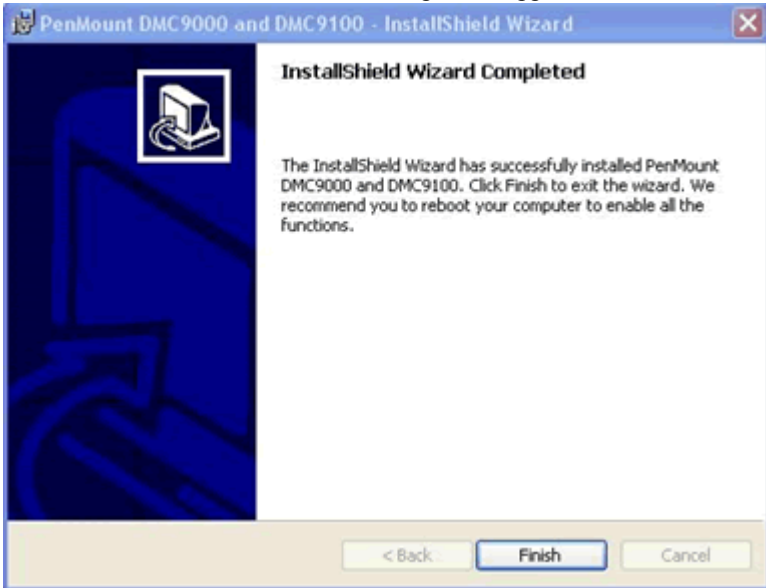
5. The “Ready to Install the Program” screen appears. Select “Install.”



6. The next screen is “Hardware Installation.” Select “Continue Anyway.”



7. The “InstallShield Wizard Completed” appears. Click “Finish.”



A.3 Configuring PenMount Windows 2000/XP Driver

Upon rebooting, the computer automatically finds the new 9000 controller board. The touch screen is connected but not calibrated. Follow the procedures below to carry out calibration.

1. After installation, click the PenMount Monitor icon “PM” in the menu bar.
2. When the PenMount Control Panel appears, click “Calibrate.”

A.3.1 PenMount Control Panel

The functions of the PenMount Control Panel are Calibrate, Draw, Multiple Monitors, Option, and About, which are explained in the following sections.

Calibrate

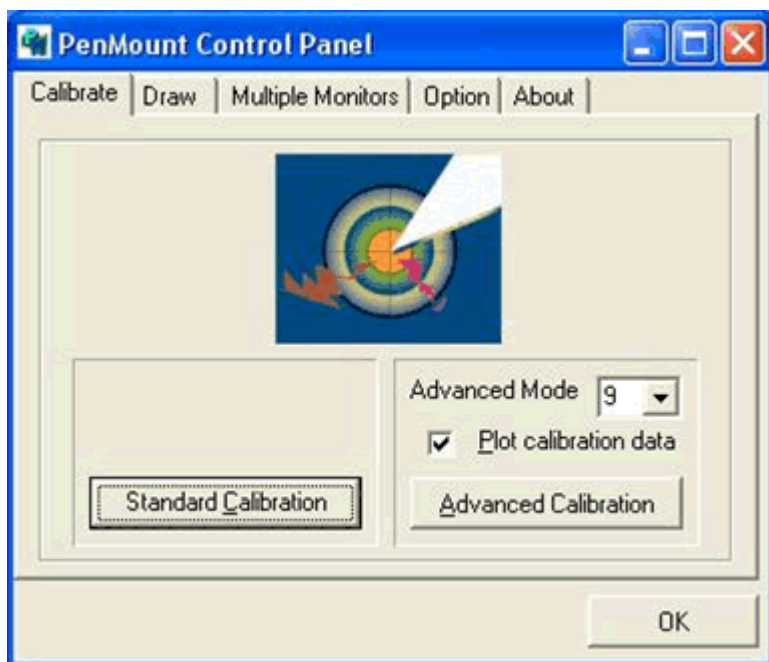
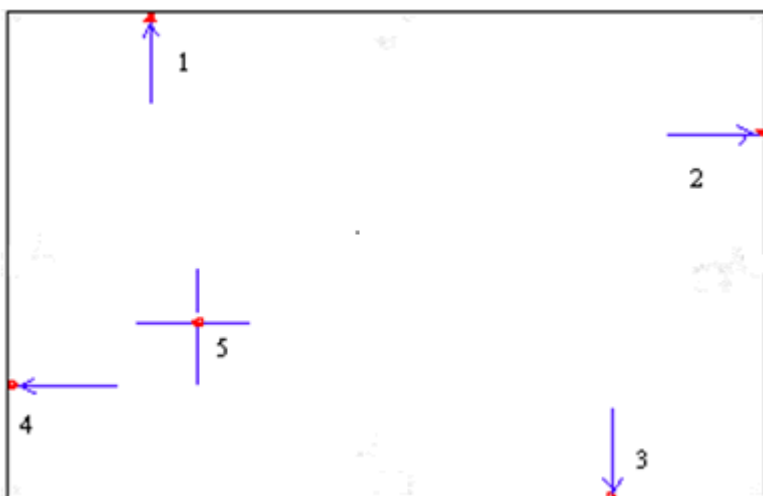
This function offers two ways to calibrate your touch screen. ‘Standard Calibration’ adjusts most touch screens. ‘Advanced Calibration’ adjusts aging touch screens.

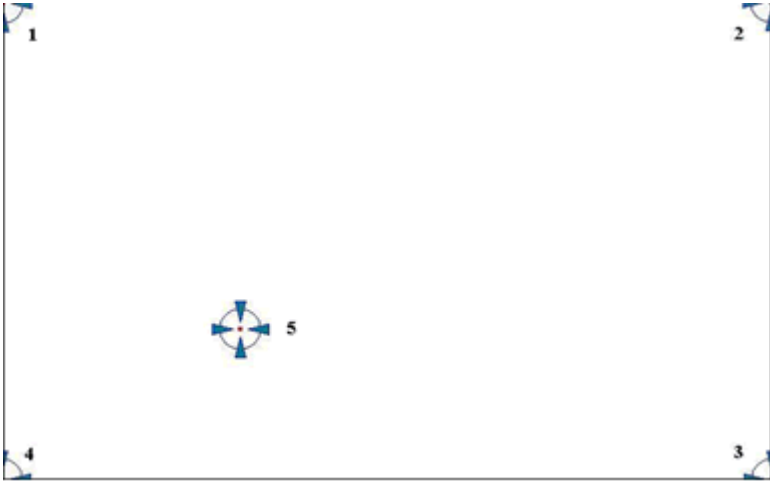
Standard Calibration Click this button and arrows appear pointing to red squares. Use your finger or stylus to touch the red squares in sequence. After the fifth red point calibration is complete. To skip, press ‘ESC’.

Advanced Calibration Advanced Calibration uses 4, 9, 16 or 25 points to effectively calibrate touch panel linearity of aged touch screens. Click this button and touch the red squares in sequence with a stylus. To skip, press ‘ESC’.



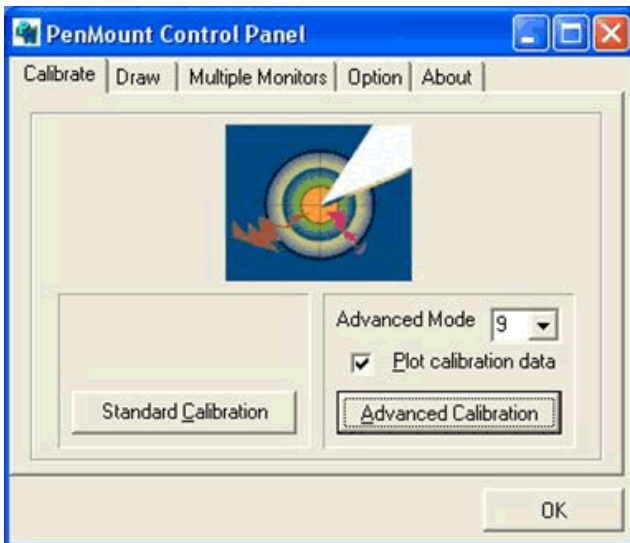
NOTE: *The older the touch screen, the more Advanced Mode calibration points you need for an accurate calibration. Use a stylus during Advanced Calibration for greater accuracy.*





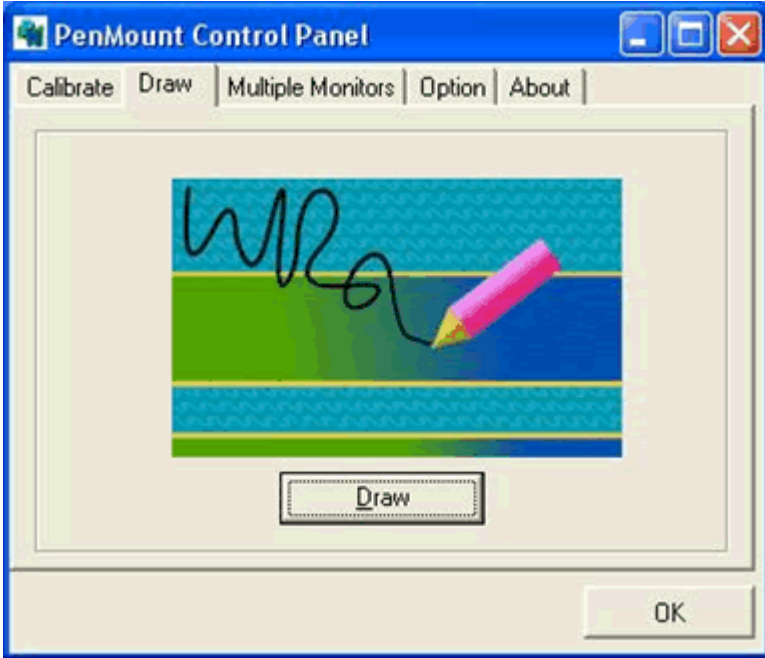
Plot Calibration Data

Check this function and a touch panel linearity comparison graph appears when you have finished Advanced Calibration. The blue lines show linearity before calibration and black lines show linearity after calibration.



Draw

Tests or demonstrates the PenMount touch screen operation. The display shows touch location. Click Draw to start. Touch the screen with your finger or a stylus and the drawing screen registers touch activity such left, right, up, down, pen up, and pen down.



Touch the screen with your finger or a stylus and the drawing screen registers touch activity such left, right, up, down, pen up, and pen down.



Click Clear Screen to clear the drawing.

Multiple Monitors

Multiple Monitors supports from two to six touch screen displays for one system. The PenMount drivers for Windows 2000/XP support Multiple Monitors. This function supports from two to six touch screen displays for one system. Each monitor requires its own PenMount touch screen control board, either installed inside the display or in a central unit. The PenMount control boards must be connected to the computer COM ports via the RS-232 interface. Driver installation procedures are the same as for a single monitor. Multiple Monitors supports the following modes:

Windows Extend Monitor Function

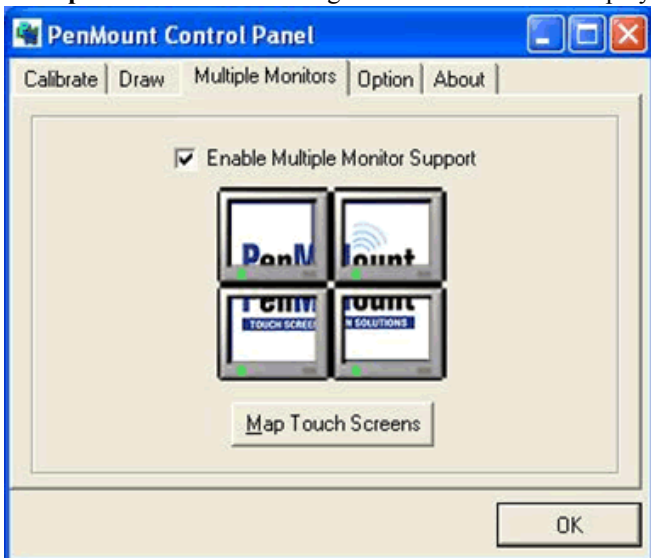
Matrox DualHead Multi-Screen Function

nVidia nView Function

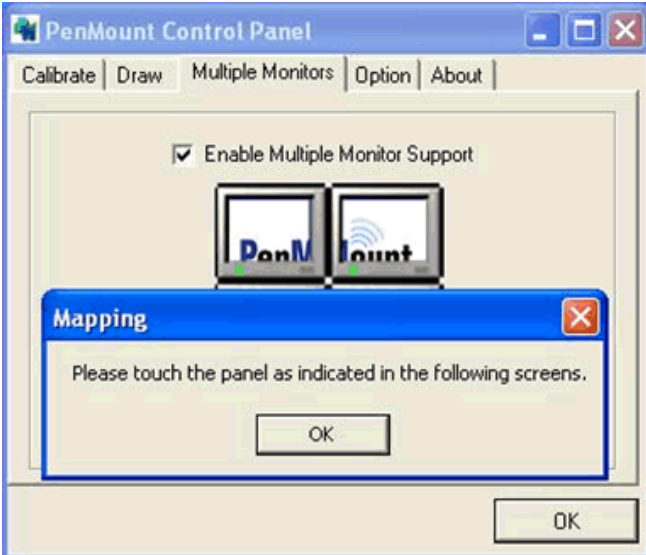
NOTE: *The Multiple Monitors function is for use with multiple displays only. Do not use this function if you have only one touch screen display. Please note once you turn on this function the Rotating function is disabled.*

Enable the multiple display function as follows:

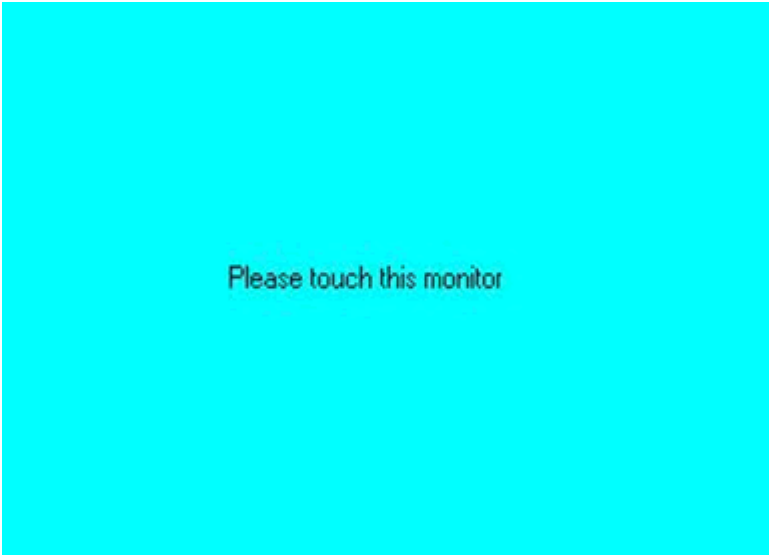
1. Check the **Enable Multiple Monitor Support** box; then click **Map Touch Screens** to assign touch controllers to displays.



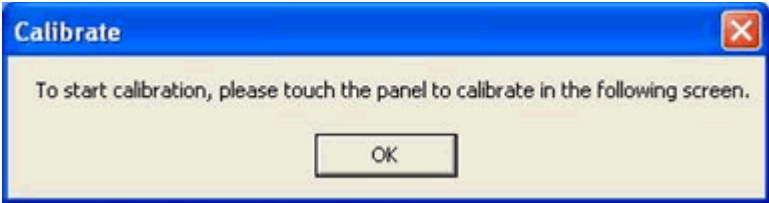
2. When the mapping screen message appears, click OK.



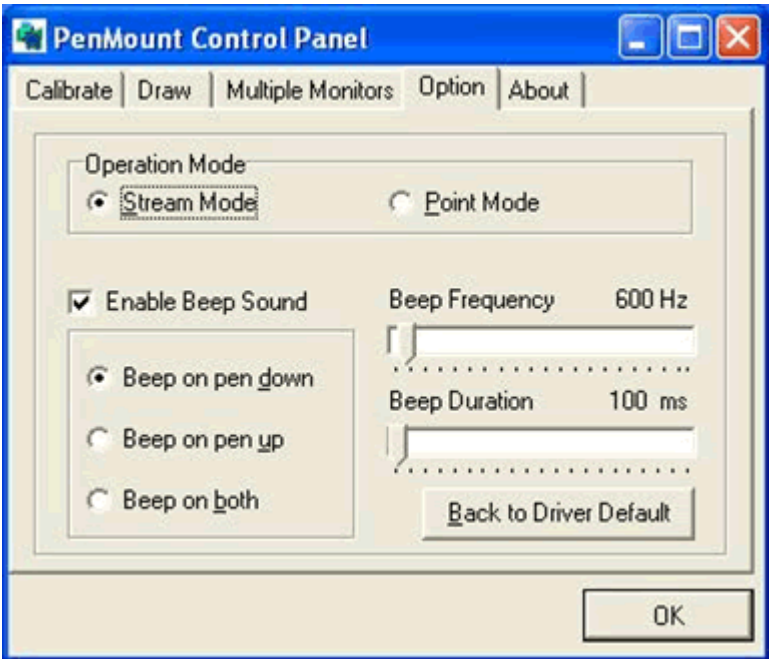
3. Touch each screen as it displays “Please touch this monitor.” Following this sequence and touching each screen is called **mapping the touch screens**.



4. Touching all screens completes the mapping and the desktop reappears on the monitors.



5. Select a display and execute the 'Calibration' function. A message to start calibration appears. Click OK.



6. "Touch this screen to start its calibration" appears on one of the screens. Touch the screen.
7. "Touch the red square" messages appear. Touch the red squares in sequence.
8. Continue calibration for each monitor by clicking **Standard Calibration** and touching the red squares.

- NOTE:**
1. *If you used a single VGA output for multiple monitors, please do not use the Multiple Monitors function. Just follow the regular procedure for calibration on each of your desktop monitors.*
 2. *The Rotating function is disabled if you use the Multiple Monitors function.*
 3. *If you change the resolution of display or screen address, you have to redo Map Touch Screens so the system understands where the displays are.*

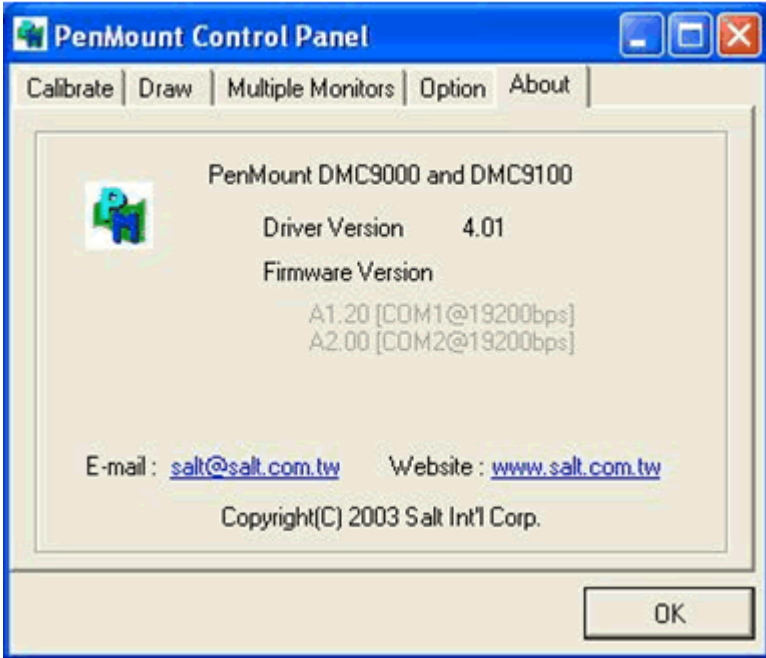
Option

This panel function supports two modes—Operation Mode and Beep Sound Mode—which allow configuration for specific touch screen applications, such as point-of-sales (POS) terminals.

Operation Mode	<p>This mode enables and disables the mouse's ability to drag on-screen icons—useful for configuring POS terminals.</p> <p><i>Stream Mode</i> – Select this mode and the mouse functions as normal and allows dragging of icons.</p> <p><i>Point Mode</i> – Select this mode and the mouse only provides a click function, and dragging is disabled.</p>
Beep Sound Mode	<p><i>Enable Beep Sound</i> – turns beep function on and off</p> <p><i>Beep on Pen Down</i> – beep occurs when pen comes down</p> <p><i>Beep on Pen Up</i> – beep occurs when pen is lifted up</p> <p><i>Beep on both of Pen Down/Up</i> – beep occurs on both</p> <p><i>Beep Frequency</i> – modifies sound frequency</p> <p><i>Beep Duration</i> – modifies sound duration</p>

About

This panel displays information about the PenMount controller and driver version.



A.3.2 PenMount Monitor Menu Icon

The PenMount monitor icon (PM) appears in the menu bar of Windows 2000/XP system when you turn on PenMount Monitor in PenMount Utilities.



PenMount Monitor has the following functions.



Beep Turns beep on or off.

Right Button When you select this function, a mouse icon appears in the right-bottom of the screen. Click this icon to switch between Right and Left Button functions.



Pen Stabilizer Check this function to reduce cursor vibration for relatively unstable touch screens, or where there may be excess vibration. Normally this function is not checked.

Exit Exits the PenMount Monitor function.

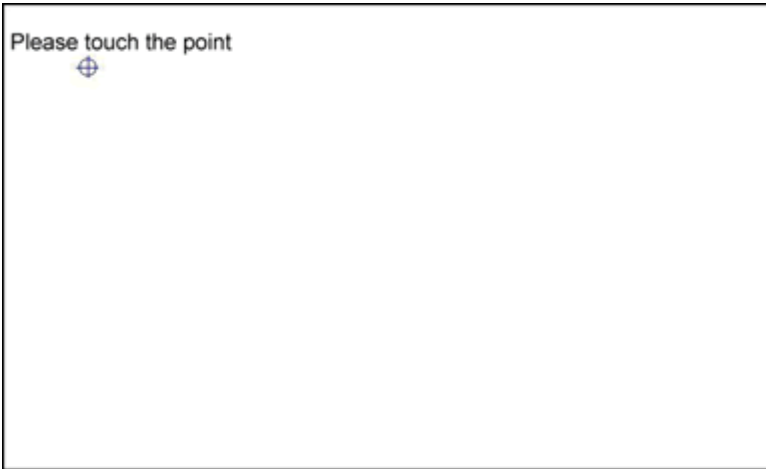
A.3.3 PenMount Rotating Functions

The PenMount driver for Windows 2000/XP supports several display rotating software packages. Please see Chapter 5 for more information. The PenMount drivers for Windows 95, Windows 98/Me, Windows 2000/XP, as well as Windows 98 USB and Windows Me/2000/XP support display rotating software packages such as:

- Portrait's Pivot Screen Rotation Software
- ATI Display Driver Rotate Function
- nVidia Display Driver Rotate Function
- SMI Display Driver Rotate Function
- Intel 845G/GE Display Driver Rotate Function

Configuring the Rotate Function

1. Install the rotation software package.
2. Choose the rotate function (0°, 90°, 180°, 270°) in the 3rd party software. The calibration screen appears automatically. Touch this point and rotation is mapped.



NOTE: The Rotate function is disabled if you use Monitor Mapping

A.4 Installation of Capacitive Touchscreen Driver

When you install TouchWare driver software, you have two installation options:

- Express Install
- Custom Install

Please refer to the CD-ROM TouchScreen-DRV\3M TouchWare Driver for detailed touchscreen drivers installation procedure.

The Express option automatically installs the required TouchWare software files, creates a TouchWare software program group, and places a TouchWare software icon on the Windows desktop and control panel. TouchWare software will also determine multiple monitor configurations at this time.

Additionally, the Custom option allows you to specify the destination folder and name the program group.

Note: If you have a Microsoft IntelliPoint or Kensington Mouseworks PS/2 mouse, installing TouchWare software will disable the special mouse functionality of these devices.

To install TouchWare software:

1. Make sure you have completed the appropriate hardware connections as described in the CD booklet or your controller reference guide. The connections differ depending on your controller type.
2. Power on your system. Make sure no other applications are open.
3. Insert the CD or diskette #1 into your PC.
4. Browse to the Disk 1 folder and double-click the Setup.exe file.
5. Follow the onscreen instructions to begin the installation. The system will prompt you to enter diskette #2 and #3 if necessary.
6. When prompted to choose the installation type, select whether to perform an Express Install or Custom Install. If you choose Custom Install, you'll be prompted to specify the destination folder and name the program group.

7. Once installation is complete, load the touch screen driver as follows:
For serial controllers, restart the system. As the system restarts, Windows detects and loads the driver.

Note: This step is not necessary for Windows 2000 systems. The driver loads automatically.

For USB controllers, connect the touch screen cable to the USB port in your computer. After a few seconds, the system beeps to indicate it has detected the touch screen and loaded the driver.

Appendix

B

Supported Input Timing Modes

Appendix B Supported Input Timing Modes

B.1 Supported Input Timing Modes

The nineteen kinds of timings below are already programmed in this module. The input synchronous signals are automatically recognized.

Chrona 2325 Timing No.	Resolution	HSYNC /KHz (+/-)	VSYNC /Hz (+/-)	PIXEL RATE /MHz	REMARK
#008	VGA 640 * 350	31.469 (+)	70.087 (-)	25.175	
#011	VGA 640 * 400	31.469 (-)	70.087 (+)	25.175	
#013	VGA 640 * 480	31.469 (-)	59.941 (-)	25.175	
#016	VGA 720 * 350	31.469 (-)	70.087 (-)	28.322	
#019	VGA 720 * 400	31.469 (-)	70.087 (+)	28.322	
#032	VESA 640 * 400	37.861 (-)	84.136 (+)	31.500	※ #034 and #32
#033	VESA 640 * 480	37.861 (-)	72.810 (-)	31.500	※ #076
#034	VESA 720 * 400	37.736 (-)	84.045 (+)	36.000	※ #032
#035	VESA 800-5	35.156 (+)	56.250 (+)	36.000	
#036	VESA 800-6	37.879 (+)	60.317 (+)	40.000	
#037	VESA 800-7	48.077 (+)	72.188 (+)	50.000	
#038	VESA 1024-6	48.363(-)	60.004 (-)	65.000	※ #067 and #072
#039	VESA 1024-7	56.476 (-)	70.069 (-)	75.000	
#041	VESA 1024-75	60.023 (+)	75.029 (+)	78.750	
#042	VESA 1024-85	68.677(+)	84.996(+)	94.500	
#057	NEC1280 * 1024	74.882 (+)	69.853 (+)	127.000	
#059	SONY1280 *1024	78.855 (+)	74.112 (+)	135.000	
#060	HITA1280 * 1024	78.125 (+)	72.005 (+)	135.000	
#067	OAK 1024 * 768	48.077 (+)	59.797 (+)	36.000	※ #038
#072	TSENG1024-60	48.653 (-)	60.214 9 (+)	65.000	
#074	640 * 400	37.861 (-)	85.081 (+)	31.500	
#075	720 * 400	37.927 (-)	85.038 (+)	35.500	
#076	640 * 480	37.861 (-)	72.810 (-)	31.500	※ #033
#077	640 * 480	37.500 (-)	75.000 (-)	31.500	
#078	640 * 480	43.269 (-)	85.008 (-)	36.000	
#079	800 * 600	46.875 (+)	75.000 (+)	49.500	
#080	800 * 600	53.674 (+)	85.062 (+)	56.250	
#081	1280 * 1024	63.981 (+)	60.02 (+)	108.000	
#082	1280 * 1024	79.976 (+)	75.024 (+)	135.000	
#083	1280 * 1024	91.146 (+)	85.024 (+)	157.500	

Appendix

C

OSD Operation Keypad

Appendix C OSD Operation Keypad

C.1 OSD Operation Keypad

The OSD keypad, including six keys and a two color indicator, is designed as the OSD operation interface.

The six keypad functions are in Table C-1.

Auto	Press this button to execute auto adjustment process
Sel	Press to show the OSD screen or select an item to change its setting
◀ ▶	To move between items or increase or decrease setting
Exit	This key has two functions: 1.) To exit from the current setting in OSD function 2.) To switch the input source between RGB, Video and S-Video
On/OFF	Turns display backlight ON and OFF

Table C-1: Keypad functions

Note 1: When the display ON/OFF button is ON, the constant green light means that the COMMON board detects the input signal and ends output signal to LCD panel. The orange light means that the COMMON board does not detect the input signal.

Note 2: When the display ON/OFF button is OFF, the flashing green light means that the display backlight is OFF. When the light shows no color, the display is powered off.

Note 3: If auto setup would like to be selected, please follow the procedures below:

1. Press the auto button
2. Press the sel button, then select the save icon to save the current status.
3. The auto setup procedure finishes.

Note 4: If the OSD needs to be locked, press the < and > at the same time until the “Lock” indicator appears on the display. To unlock, repeat the same procedures once more.

C.2 OSD Function

Each selected value is stored into LCD memory after SEL signal input or time out. The stored values are not affected if the power is turned off. But the selected value is not available in case a selected mode is changed before time out or power is turned off before time out.

The default definition of input keys is shown as following:

Main Menu	Sub Menu	Functionality
Brightness		Adjust brightness of the display
Contrast	Contrast	Adjust contrast of RGB channel simultaneously
	Sub Contrast RGB	Adjust color of selected RGB channel
Position	H.Size	Adjust phase of ADC sample clock
	Clock Phase	Adjust number of clocks per line
	H.Position	Move input image capture window left or right
	V.Position	Move the input image capture window up or down
Information	Information	System input mode information and maximum range supported by screen
All Reset	All Reset	Reset menu parameters to factory default setting

