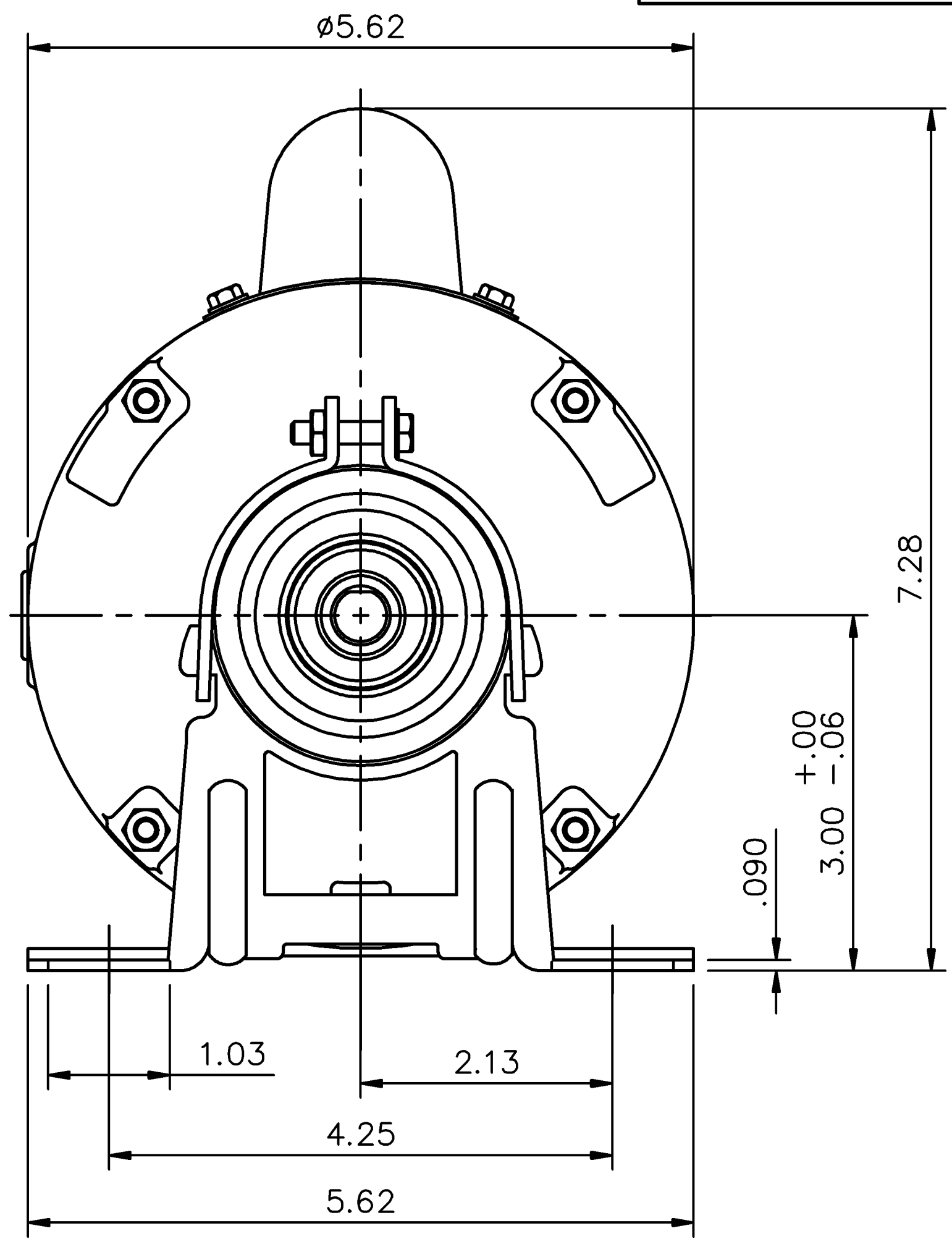
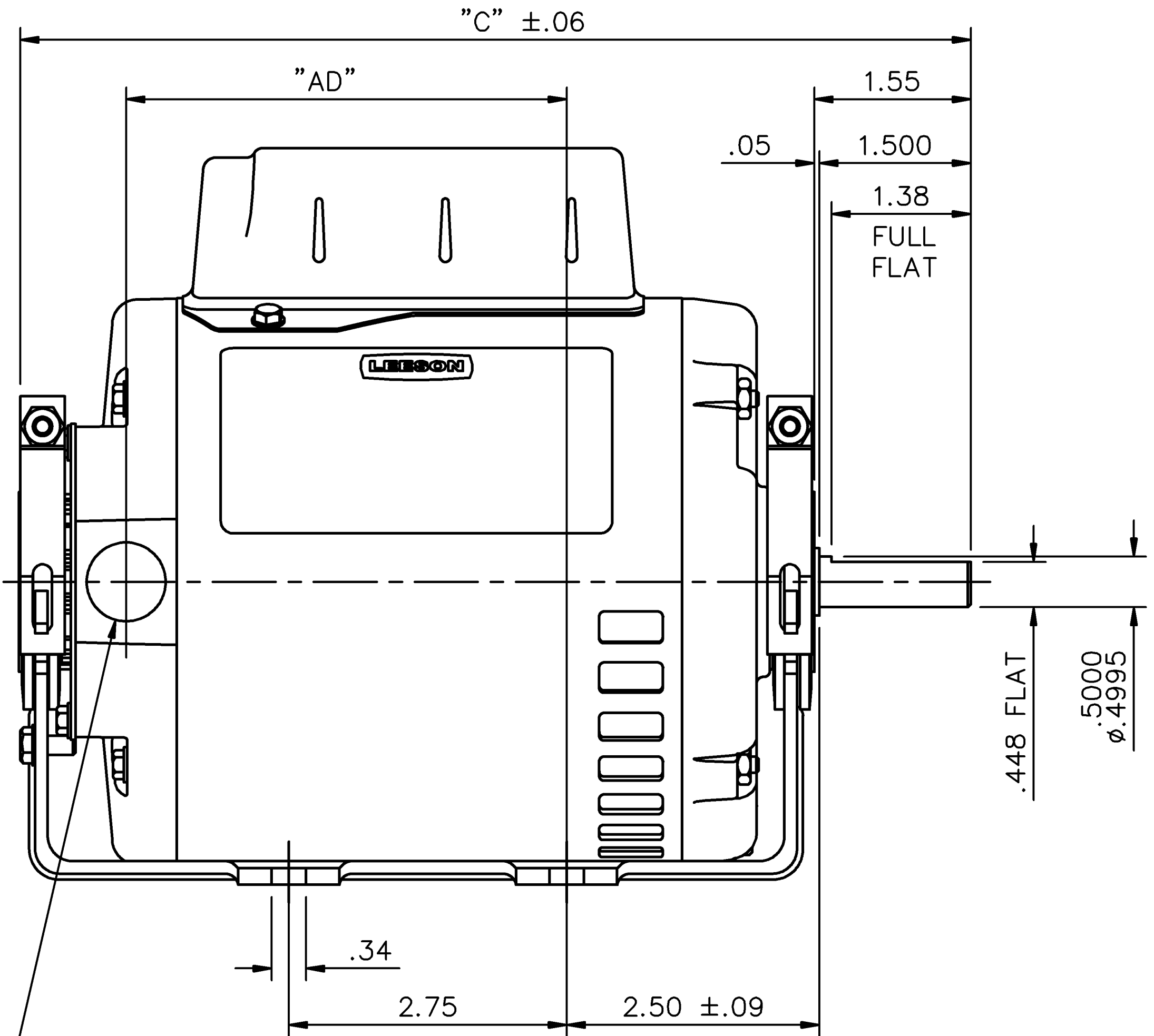


031625



1/2-14 NPT
CONDUIT HOLE
(PLUGGED)

DASH NO.	"C"	"AD"
500	9.39	4.34
550	9.89	4.84
600	10.39	5.34
650	10.89	5.84

TOLERANCES UNLESS OTHERWISE SPECIFIED

DEC.	INCHES	METRIC
.X	±.1	±2.5
.XX	±.03	±.76
.XXX	±.005	±.127
.XXXX	±.0005	±.0127

LEESON ELECTRIC CORPORATION

DRAWN PG 5/24/01	TITLE	OUTLINE - 48 FRAME RESILIENT MOUNT - DRIP PROOF
APPR.	MAT'L.	1 PHASE
R.F.P.	SCALE	1=2

NO.	REVISION	BY & DATE	CH'K'D.
-----	----------	-----------	---------

THIS DRAWING IN DESIGN AND DETAIL IS OUR PROPERTY AND MUST NOT BE USED EXCEPT IN CONNECTION WITH OUR WORK ALL RIGHTS OF DESIGN AND INVENTION ARE RESERVED THIS IS AN ELECTRONICALLY GENERATED DOCUMENT - DO NOT SCALE THIS PRINT

FRACTIONS	±1/64
ANGLES	±1/2°

REF. 030005	FINISH	REV.	DRAWING NO.
FMF 101015			031625