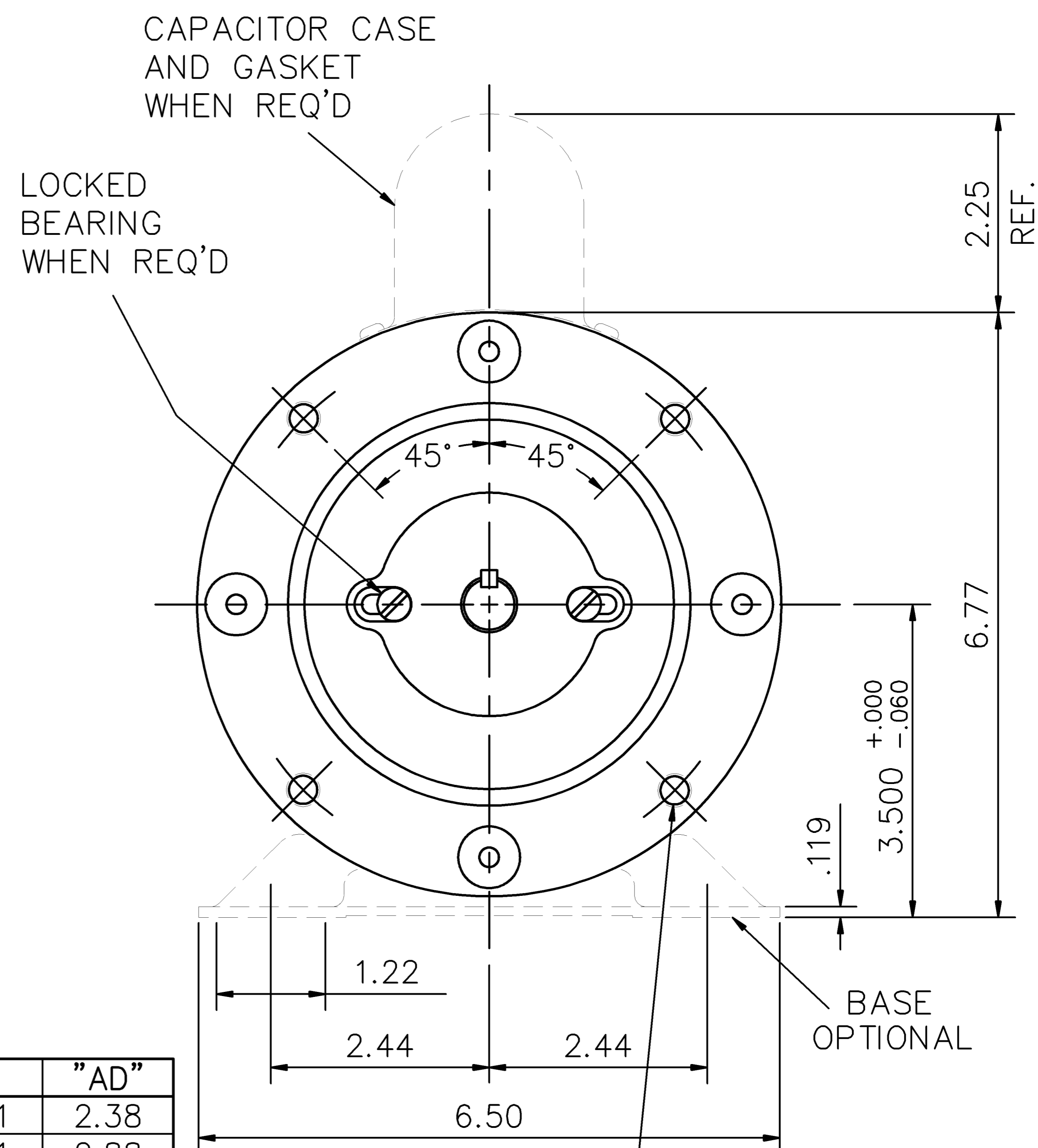
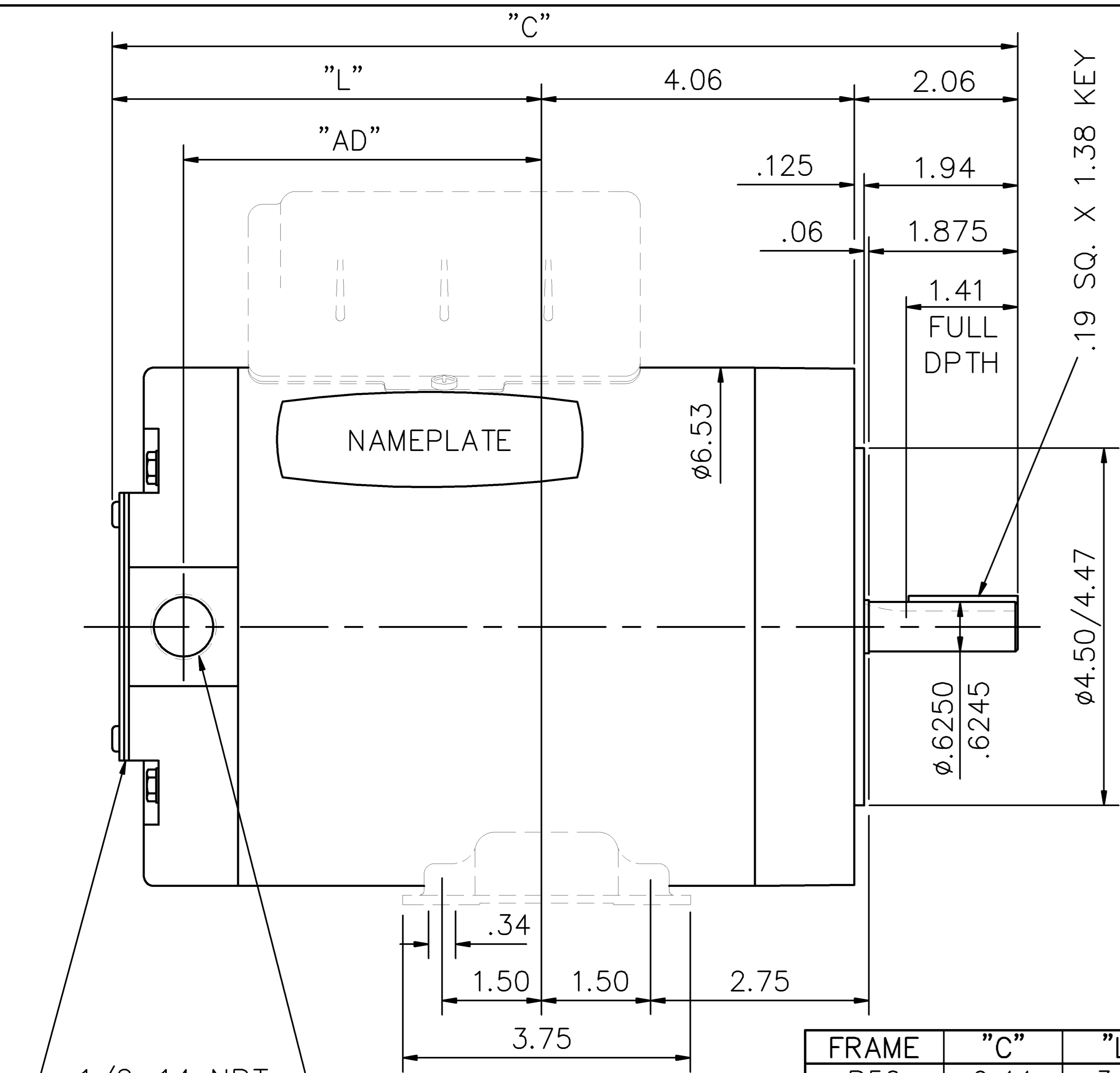


032517



FRAME	"C"	"L"	"AD"
B56	9.44	3.31	2.38
C56	9.94	3.81	2.88
D56	10.44	4.31	3.38
E56	10.94	4.81	3.88
F56	11.44	5.31	4.38
G56	11.94	5.81	4.88
H56	12.44	6.31	5.38
J56	12.94	6.81	5.88

MAXIMUM FACE RUNOUT TO BE .004 T.I.R.  
 MAXIMUM PILOT ECCENTRICITY .004 T.I.R.  
 PERMISSIBLE SHAFT RUNOUT .002 T.I.R.

NOTE:  
 CENTER HOLE IN END OF  
 SHAFT AND PLUG CAP OPTIONAL

				TOLERANCES UNLESS OTHERWISE SPECIFIED		<b>LEESON ELECTRIC CORPORATION</b>	
				DECIMALS			
10	ADDED "LOCKED BEARING WHEN REQ'D" NOTE, PER ECR 77320	BJB	06/26/02	.00	± .01	DRAWN ADH 1/24/74	TITLE OUTLINE - 56 FRAME "C" FACE - T.E.N.V.
09	REVISED BASE TO SHOW 3.75 WIDTH	BPW	11/30/01	.000	± .005	CH'K'D. RPB 4/1/74	
08	REDRAWN ON CAD	PTZ	04/27/93	.0000	± .0005	APPR. WRK 4/1/74	MAT'L. <b>NLV</b> <b>BRF</b>
NO.	REVISION	BY	DATE	FRACTIONS	± 1/64	SCALE 3=8	
THIS DRAWING IN DESIGN AND DETAIL IS OUR PROPERTY AND MUST NOT BE USED EXCEPT IN CONNECTION WITH OUR WORK ALL RIGHTS OF DESIGN AND INVENTION ARE RESERVED				ANGLES	± 1/2°	REF.	FINISH
				INCH/MM		FMF	