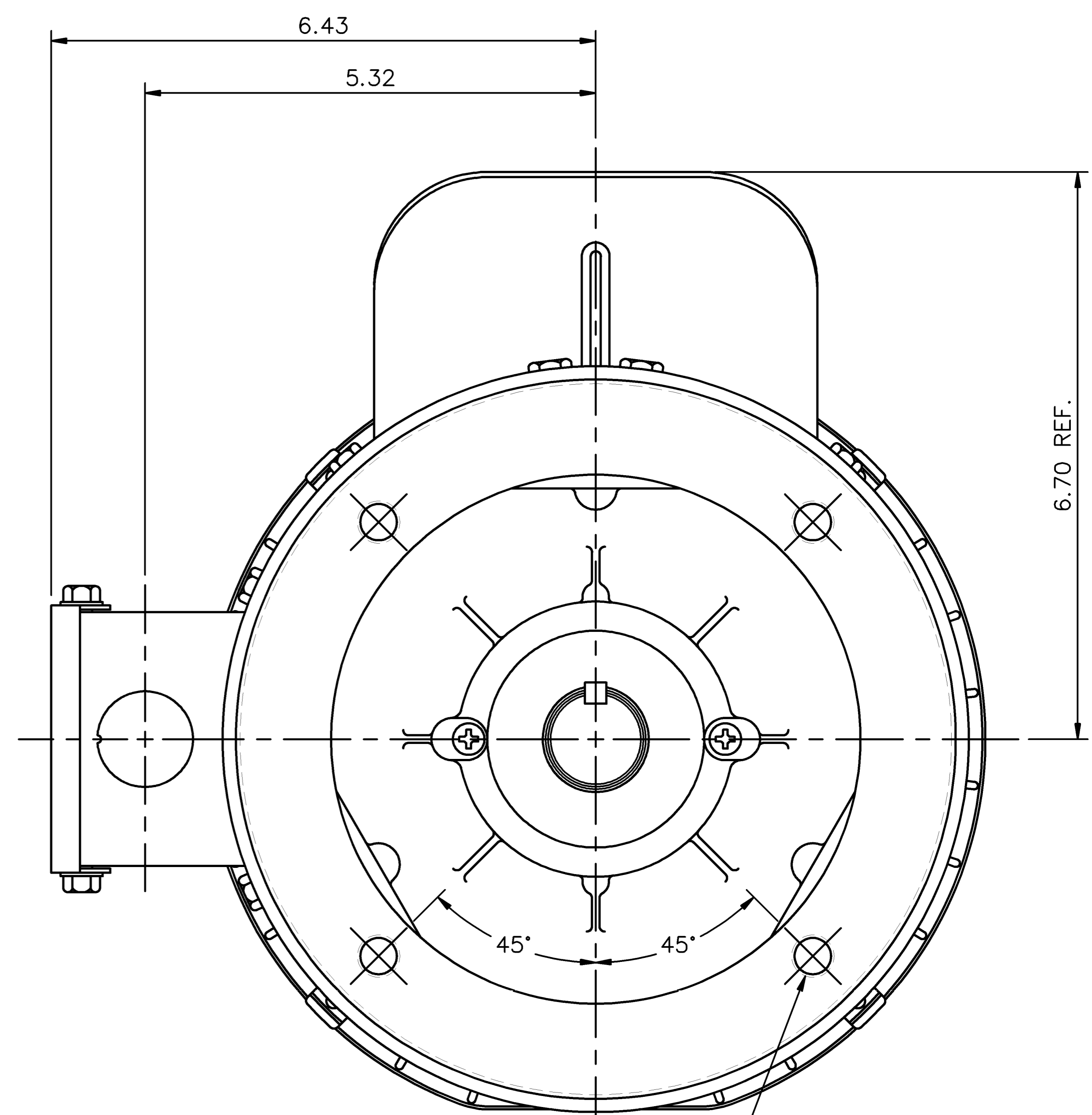


Ø1.13 KNOCKOUTS  
(3) REQUIRED



1/2-13 UNC-2B X .75 DEEP  
(4) REQ'D. ON A Ø7.250 B.C.

MAXIMUM FACE RUNOUT TO BE .004 T.I.R.  
MAXIMUM PILOT ECCENTRICITY TO BE .004 T.I.R.  
PERMISSIBLE SHAFT RUNOUT TO BE .002 T.I.R.

GASKETS THROUGHOUT

				TOLERANCES UNLESS OTHERWISE SPECIFIED		<b>LEESON ELECTRIC CORPORATION</b>			
				DECIMALS					
				.00	± .01	DRAWN RSK 04/15/99	TITLE		
				.000	± .005	CH'K'D.	OUTLINE - RX184TC FRAME		
				.0000	± .0005	APPR.	TEFC - "C" FACE		
				FRACTIONS	± 1/64	SCALE 1=2	MAT'L.		
				ANGLES	± 1/2°	REF. 035378	FINISH LEESON	SIZE B	DRAWING NO.
				INCH/MM		FMF 131540	STOCK	B	OL131540
NO. REVISION BY DATE				THIS DRAWING IN DESIGN AND DETAIL IS OUR PROPERTY AND MUST NOT BE USED EXCEPT IN CONNECTION WITH OUR WORK ALL RIGHTS OF DESIGN AND INVENTION ARE RESERVED		<b>NLV</b>			