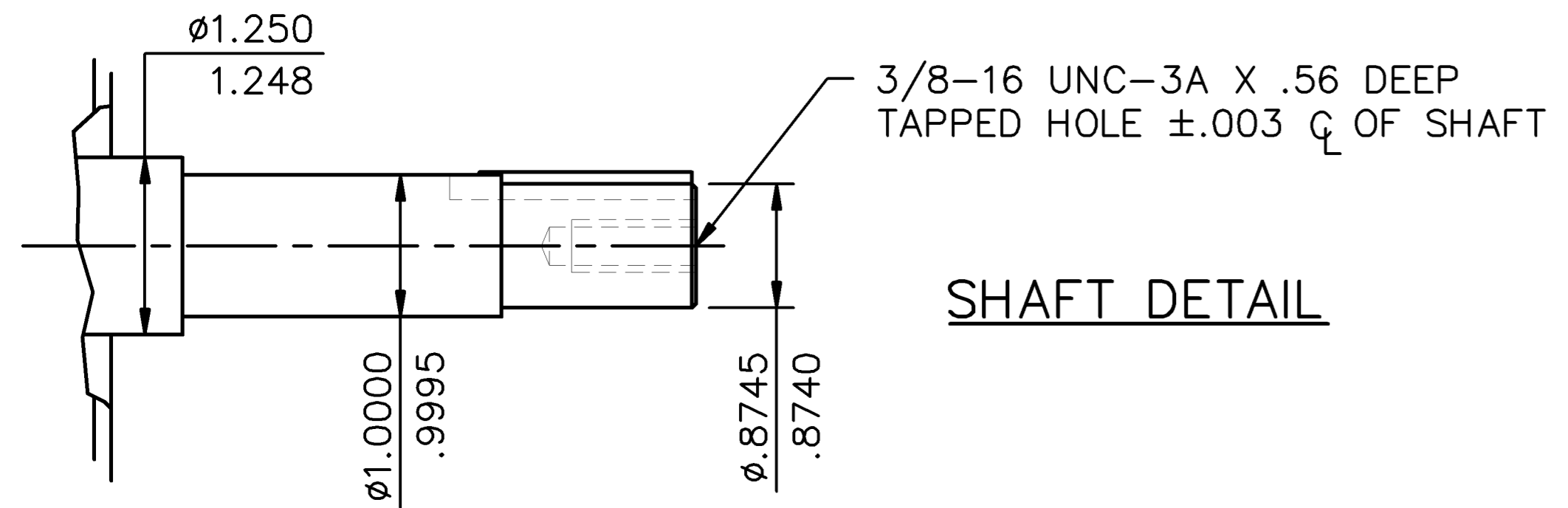


GASKETS THROUGHOUT

FRAME	"C"	"L"	"AD"
HX	15.59	5.59	2.38
JX	16.09	6.09	2.88
KX	16.59	6.59	3.38
LX	17.09	7.09	3.88
MX	17.59	7.59	4.38
NX	18.09	8.09	4.88
PX	18.59	8.59	5.38

MAXIMUM FACE RUNOUT TO BE .004 T.I.R.
 MAXIMUM PILOT ECCENTRICITY TO BE .004 T.I.R.
 PERMISSIBLE SHAFT RUNOUT TO BE .002 T.I.R.

Ø1.13 KNOCKOUTS
(3) REQUIRED



SHAFT DETAIL

				TOLERANCES UNLESS OTHERWISE SPECIFIED		LEESON ELECTRIC CORPORATION					
				DECIMALS							
				.00	± .01	DRAWN PG 09/15/97	TITLE				
				.000	± .005	CH'K'D. RK 09/15/97	OUTLINE - 180JM FRAME				
01	REVISED FAN GUARD PER. DESIGN CHANGE	RSK	04/21/99	.0000	± .0005	APPR.	TEFC - "JM" PUMP MOUNT				
NO.	REVISION	BY	DATE	FRACTIONS	± 1/64	SCALE	MAT'L.				
				ANGLES	± 1/2'	REF.	035199	FINISH	LEESON	SIZE	DRAWING NO.
				INCH/MM		FMF	STANDARD	STOCK	B	035357	

THIS DRAWING IN DESIGN AND DETAIL IS OUR PROPERTY AND MUST NOT BE USED EXCEPT IN CONNECTION WITH OUR WORK ALL RIGHTS OF DESIGN AND INVENTION ARE RESERVED

NLV