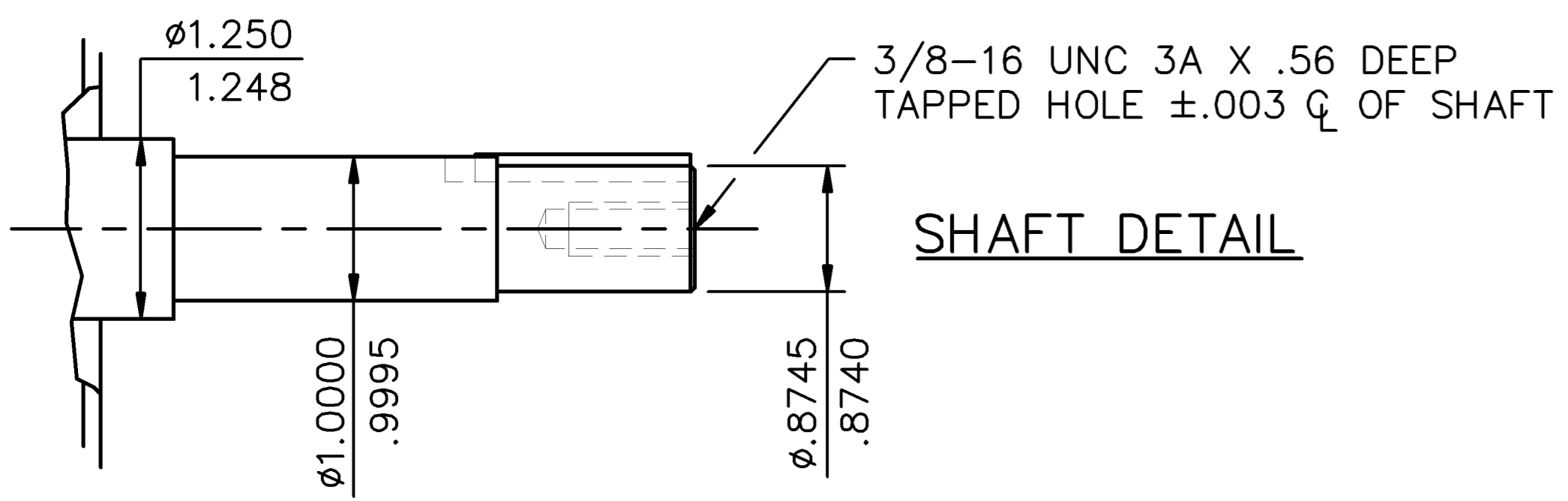


GASKETS THROUGHOUT

FRAME	"C"	"L"	"AD"
GX180JM	13.82	3.82	1.88
HX180JM	14.32	4.32	2.38
JX180JM	14.82	4.82	2.88
KX180JM	15.32	5.32	3.38
LX180JM	15.82	5.82	3.88
MX180JM	16.32	6.32	4.38
NX180JM	16.82	6.82	4.88
PX180JM	17.32	7.32	5.38
RX180JM	17.82	7.82	5.88



MAXIMUM FACE RUNOUT TO BE .004 T.I.R.
 MAXIMUM PILOT ECCENTRICITY TO BE .004 T.I.R.
 PERMISSIBLE SHAFT RUNOUT TO BE .002 T.I.R.

				TOLERANCES UNLESS OTHERWISE SPECIFIED		LEESON ELECTRIC CORPORATION	
				DECIMALS			
				.00	± .03	DRAWN PG 11/10/97	TITLE
				.000	± .005	CH'K'D.	OUTLINE - 180JM FRAME
01	ADDED PX & RX FRAME TO OUTLINE CHART	RSK	12/04/97	.0000	± .0005	APPR. PG 11/10/97	OPEN DRIP PROOF - JM PUMP MOUNT
NO.	REVISION	BY	DATE	FRACTIONS	± 1/64	SCALE 1=2	MAT'L.
THIS DRAWING IN DESIGN AND DETAIL IS OUR PROPERTY AND MUST NOT BE USED EXCEPT IN CONNECTION WITH OUR WORK ALL RIGHTS OF DESIGN AND INVENTION ARE RESERVED				ANGLES	± 1/2'	REF. 035220	FINISH
				INCH/MM		FMF 131605	SIZE B
						DRAWING NO. 035390	

NLV