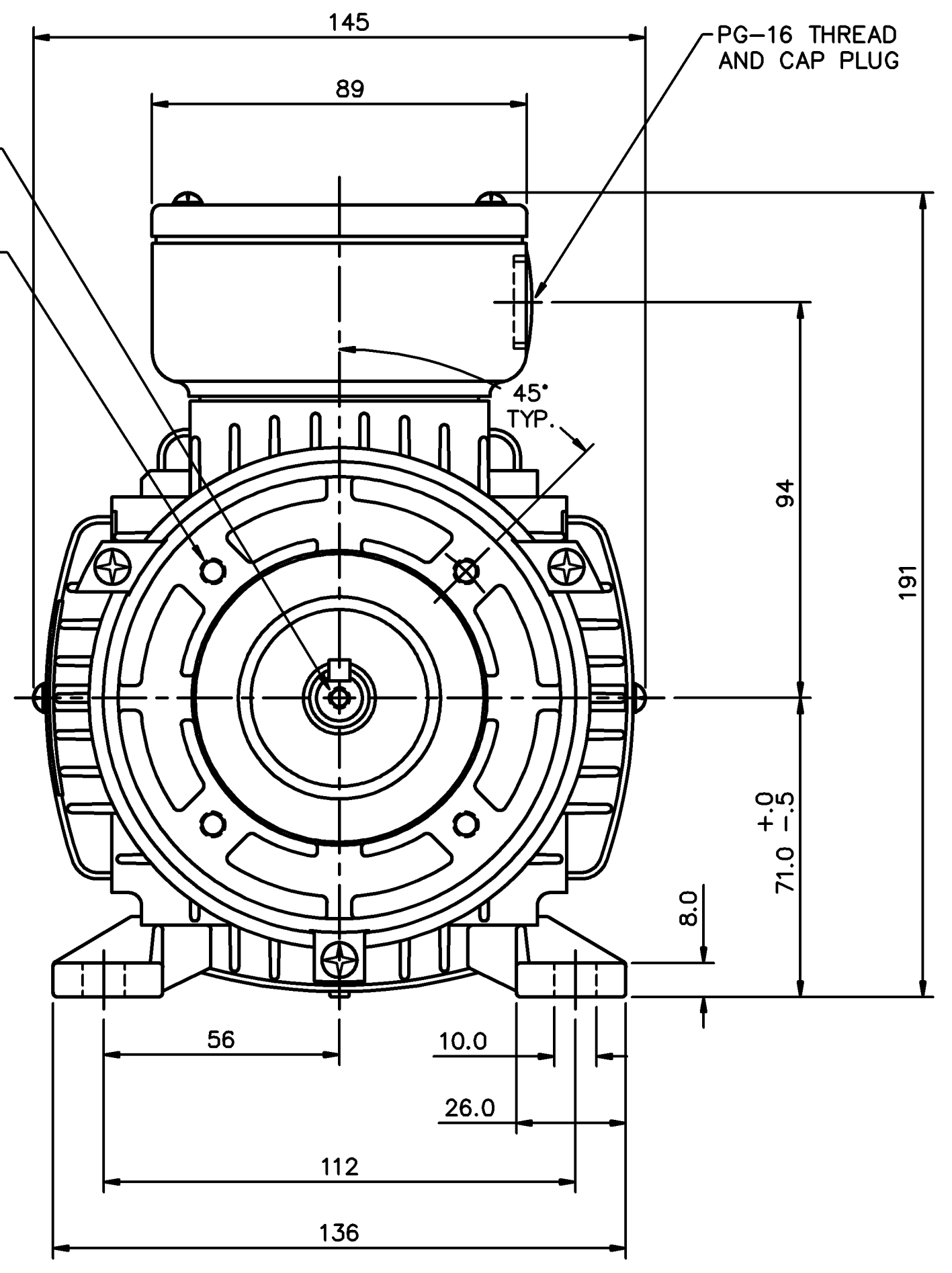


M5-.80 X 12.5 DEEP THREADED SHAFT TIP  
 (4) M6-1.0 THRU-THREAD R.H. ON A Ø85.00±.17 B.C.



		TOLERANCES UNLESS SPECIFIED		LEESON	ELECTRIC MOTORS GEARMOTORS AND DRIVES	DRAWN ADS 01/30/02			
		DEC.	METRIC			CHK	APPD		
		.X	±			SCALE	1=1.6		
		.XX	±			REF	OSVC-300-561		
		.XXX	±			FMT	LEESON STOCK		
		.XXXX	±			PREV			
NO.	REVISION	BY & DATE	CHK	ANG	±	FINISH			
THIS DRAWING IN DESIGN AND DETAIL IS OUR PROPERTY AND MUST NOT BE USED EXCEPT IN CONNECTION WITH OUR WORK ALL RIGHTS OF DESIGN AND INVENTION ARE RESERVED THIS IS AN ELECTRONICALLY GENERATED DOCUMENT - DO NOT SCALE THIS PRINT				RFP	CAD FILE	16986400	SIZE	DRAWING NO.	REV.
				DIST			B	169864-00	