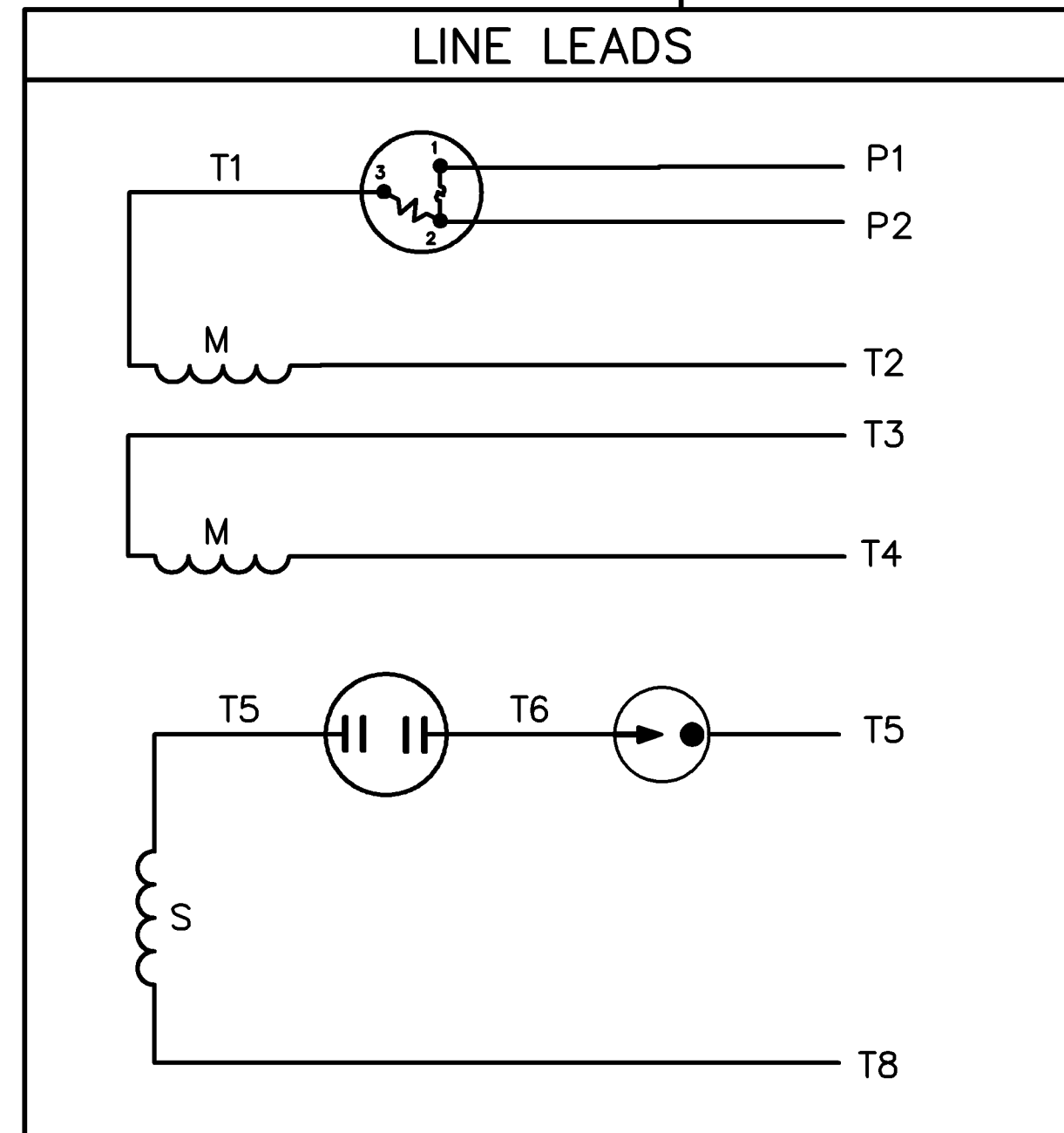


VIEW FROM OUTSIDE OF MOTOR AT SWITCH END



	ROTATION FACING LEAD END	L1	L2	JOIN	INSULATE SEPARATE
HIGH VOLT	C.C.W.	P1	T4, T5	T2, T3 T8	P2
	C.W.	P1	T4, T8	T2, T3 T5	P2
LOW VOLT	C.C.W.	P1	T2, T4 T5	P2 T3, T8	---
	C.W.	P1	T2, T4 T8	P2 T3, T5	---

TOLERANCES UNLESS OTHERWISE SPECIFIED

DEC.	INCHES	METRIC
.X	±.1	±2.5
.XX	±.01	±.25
.XXX	±.005	±.127
.XXXX	±.0005	±.0127

FRACTIONS	±1/64
ANGLES	±1/2°

LEESON ELECTRIC CORPORATION

DRAWN PG 6/8/01

TITLE EXTERNAL WIRING DIAGRAM
TYPE "C" W/PROTECTOR

APPR.

MAT'L. DUAL VOLTAGE - DUAL ROTATION
DECAL - 004011

R.F.P.

SCALE 5=8

REF. 005003-01

FINISH

REV. 01

DRAWING NO. 005003-52

THIS DRAWING IN DESIGN AND DETAIL IS OUR PROPERTY AND MUST NOT BE USED EXCEPT IN CONNECTION WITH OUR WORK. ALL RIGHTS OF DESIGN AND INVENTION ARE RESERVED. THIS IS AN ELECTRONICALLY GENERATED DOCUMENT - DO NOT SCALE THIS PRINT.

01 MOVED T5 TO "INSIDE" SWITCH TERMINAL

PG 8/2/01

CH'K'D.

BY & DATE

NO.

REVISION

BY & DATE

CH'K'D.

SCALE 5=8

SCALE 5=8

FMF 100002

REV. 01

REV. 01

DRAWING NO. 005003-52