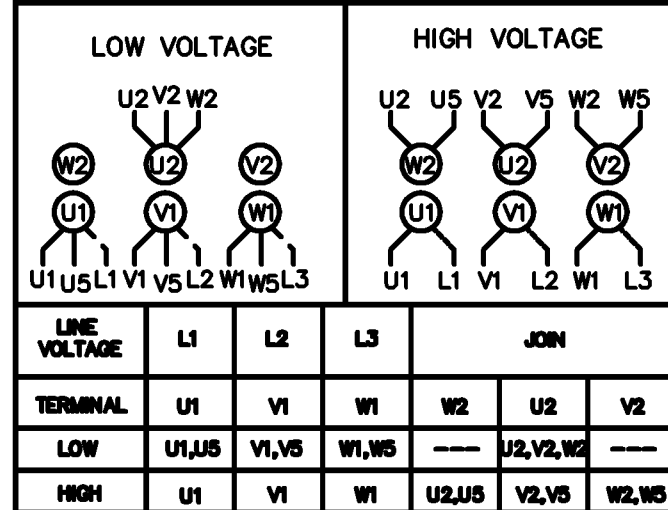
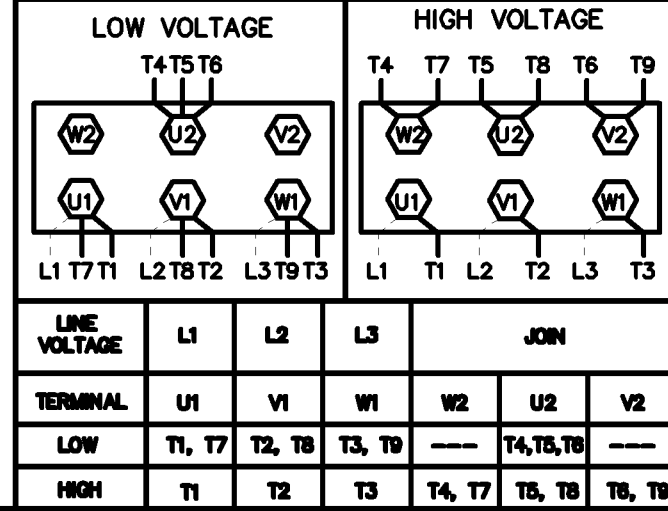


REF. DECAL (IEC) 080644
REF. DECAL (NEMA) 080446

IEC MARKINGS



NEMA MARKINGS



TOLERANCES UNLESS SPECIFIED



**ELECTRIC MOTORS
GEARMOTORS
AND DRIVES**

						DRAWN		MGM 12/3/02	
						CHK			
						APPD			
						SCALE		1=1	
						REF		00537703	
01	NEMA LV CONNECTION WAS INCORRECT	RLW	8/4/03			MAT'L		IEC/NEMA MARKINGS	
NO.	REVISION	BY & DATE	CHK	ANG	±1/2"	FINISH		THERMAL TRANSFER	
						CAD FILE		00546501	
						SIZE		DRAWING NO.	
						A		005465-01	
								REV.	
								01	

THIS DRAWING IN DESIGN AND DETAIL IS OUR PROPERTY AND MUST NOT BE USED EXCEPT IN CONNECTION WITH OUR WORK ALL RIGHTS OF DESIGN AND INVENTION ARE RESERVED THIS IS AN ELECTRONICALLY GENERATED DOCUMENT - DO NOT SCALE THIS PRINT

RFP
DIST