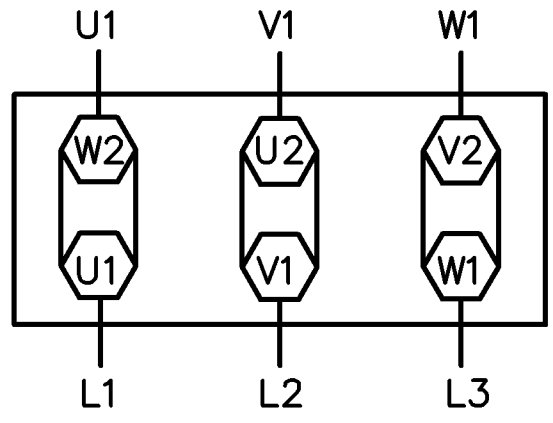
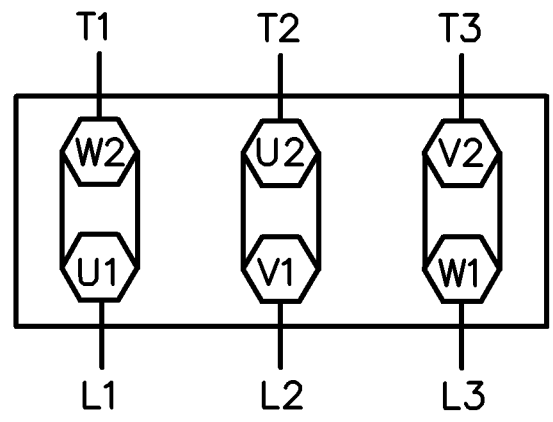



IEC MARKINGS



NEMA MARKINGS



TO REVERSE ROTATION  
INTERCHANGE ANY TWO  
LINE LEADS

		TOLERANCES UNLESS SPECIFIED		 <b>ELECTRIC MOTORS GEARMOTORS AND DRIVES</b>	DRAWN MGM 12/10/02	
		DEC.	INCHES		CHK	
		.X	±.1		APPD	
		.XX	±.01		SCALE 3=4	
		.XXX	±.005		REF	
			.XXXX	±.0005	MAT'L.	
NO.	REVISION	BY & DATE	CHK	ANG	±1/2°	FINISH
THIS DRAWING IN DESIGN AND DETAIL IS OUR PROPERTY AND MUST NOT BE USED EXCEPT IN CONNECTION WITH OUR WORK ALL RIGHTS OF DESIGN AND INVENTION ARE RESERVED THIS IS AN ELECTRONICALLY GENERATED DOCUMENT - DO NOT SCALE THIS PRINT			RFP	CAD FILE 00546801		SIZE A
			DIST			DRAWING NO. 005468-01
						REV.