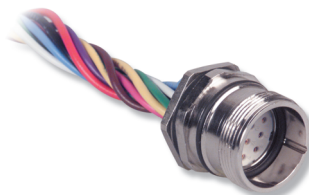
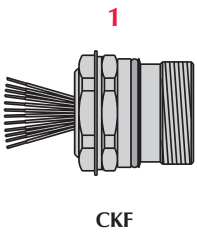
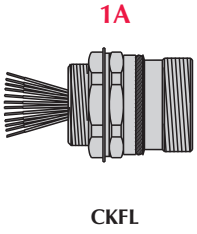
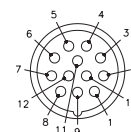


12-Pin multifast® Receptacles, Front Mount, M23 Thread

- Female Receptacles
- For use with Junction Box Home Run Cables
- IEC IP 65 Protection



Housing Style	Part Number	Lead Specs.	Application	Pinout
 <p>1</p> <p>CKF</p>  <p>1A</p> <p>CKFL</p>	CKF 12-7-*	UL Nickel Plated Brass 7x18 AWG 105° C 300 V 8 A	4-port, 1 Signal per port	1. BN 3. BU 4. WH 6. GN 7. YE 8. GY 12. GN/YE
	CKF 12-9-*	UL Nickel Plated Brass 9x18 AWG 105° C 300 V 8 A	6-port, 1 Signal per port	1. BN 3. BU 4. WH 6. GN 7. YE 8. GY 9. PK 10. RD 12. GN/YE
	CKF 12-11-*	UL Nickel Plated Brass 11x18 AWG 105° C 300 V 8 A	8-port, 1 Signal per port	1. BN 3. BU 4. WH 5. GN 6. YE 7. GY 8. PK 9. RD 10. BK 11. VT 12. GN/YE
	CKF 12-12-*	UL Nickel Plated Brass 12x18 AWG 105° C 300 V 8 A	8-port, 1 Signal per port	1. BN 2. OG 3. BU 4. WH 5. GN 6. YE 7. GY 8. PK 9. RD 10. BK 11. VT 12. GN/YE
	CKF 12-12-*/S817	UL Nickel Plated Brass 12x18 AWG 105° C 300 V 8 A	8-port, 1 Signal per port Jacketed Cable	1. BN 2. BU 3. WH 4. GN/YE 5. OG 6. YE 7. GY 8. PK 9. RD 10. BN/WH 11. BU/WH 12. GN/WH



See page H43 for dimensional drawings.

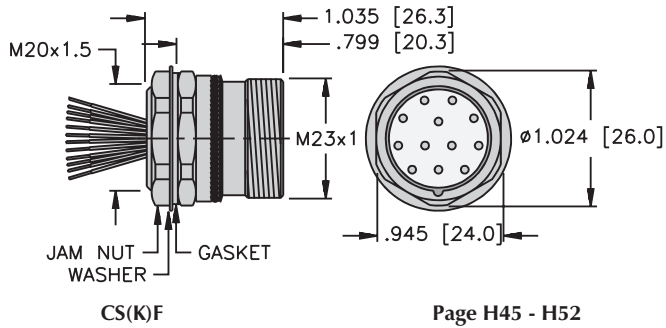
* Length in meters. Standard lead length is 1 meter. Consult factory for other lengths.

"CKFL .." indicates long mounting threads; "CKFLV .." indicates 316 stainless steel housing with long threads.

PVC jacketed cable, add "/S717" to the end of the part number.

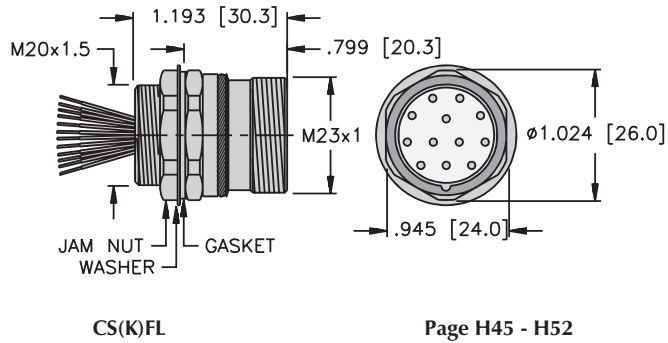
multifast® Receptacles

1



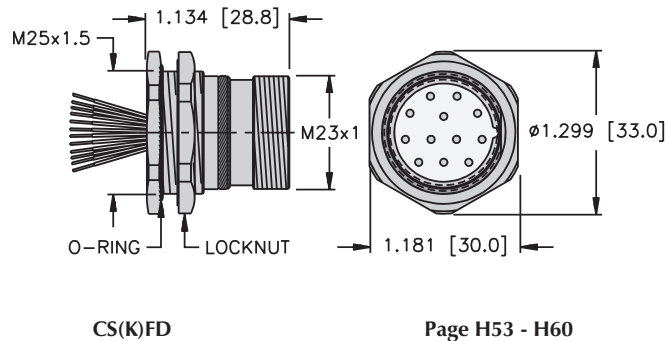
Page H45 - H52

1A



Page H45 - H52

2



Page H53 - H60