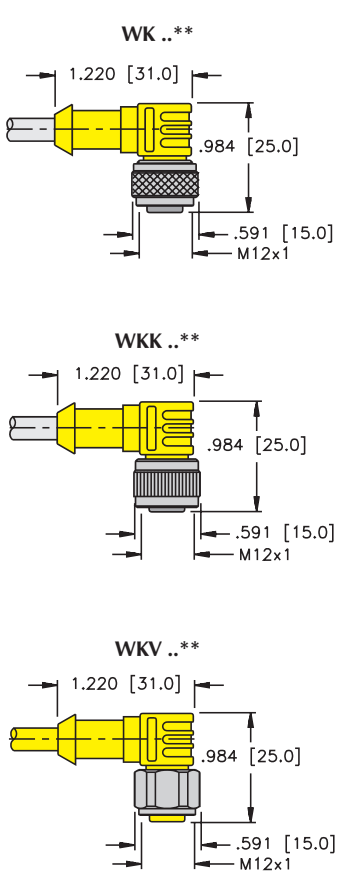
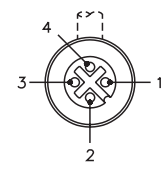


3-Wire *euromast*® Cordsets, Standard Plug Body

- Right Angle Female Connector
- NEMA 1, 3, 4, 6P and IEC IP 68 Protection
- 250 VAC/300 VDC, 4 A



Cordsets

Housing Style	Part Number	Cable	Features	Pinout
	WK 4T-*	AWM PVC Grey 3x20 AWG 105°C 5.2 mm OD Cable #RF50528-*M†	<i>flexlife</i> ®	
	WK 4T-*/S90	AWM PUR Grey 3x20 AWG 105°C 5.2 mm OD Cable #RF50518-*M†	<i>Cut/Abrasion Immune</i>	
	WK 4T-*/S101	AWM TPE Grey 3x20 AWG 105°C 5.7 mm OD Cable #RF50940-*M†	<i>flexLife-10, High Flex Over 10 Million Cycles</i>	
	WK 4T-*/S529	AWM PUR/Heavy Braid Double Jacket Yellow 3x20 AWG 80°C 5.2 mm OD Cable #RF50832-*M†	<i>Cut/Abrasion Immune Braided Mechanical Shield</i>	
	WK 4T-*/S824	PLTC AWM PVC Grey 3x20 AWG 105°C 5.2 mm OD Cable #RF50829-*M†	<i>Tray Rated</i>	
	WK 4T-*/S715	AWM PVC Yellow 3x20 AWG 105°C 5.2 mm OD Cable #RF50674-*M†	<i>flexlife</i>	
	WK 4T-*/S760	AWM PVC Black 3x20 AWG 105°C 5.2 mm OD Cable #RF50795-*M†	<i>flexlife</i>	
	WK 4T-*/S618	AWM PVC Grey 3x20 AWG Foil/Drain 105°C 5.7 mm OD Cable #RF50611-*M†	<i>RFI/EMI Shielding</i>	

* Length in meters. Standard cable lengths are 2, 4, 6, 8 and 10 meters. Consult factory for other lengths.
 ** Standard coupling nut material is nickel plated brass "WK .."; "WKK .." indicates nylon and "WKV .." indicates 316 stainless steel.
 † See Section N for *reelfast*® cable information.