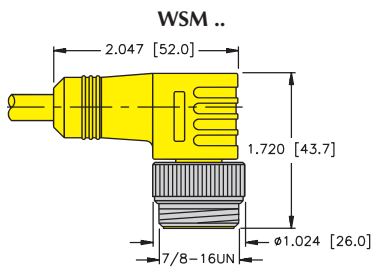
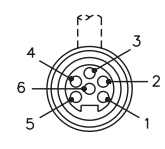


6-Wire *minifast*® Cordsets, Standard

- Right Angle Male Connectors
- NEMA 1, 3, 4, 6P and IEC IP 67 Protection
- 300 V, 9 A



| Housing Style | Part Number | Cable | Features | Pinout |
|---|--------------------|---|--|--|
|  | WSM 60-*M/S90/S853 | AWM PUR Yellow 3x18 AWG 105°C 7.3 mm OD Cable #RF50545-*M [†] | 6 pin style connector with 3 conductor | <ol style="list-style-type: none"> 1. BN 2. N/C 3. GN/YE 4. N/C 5. BU 6. N/C |
| | WSM 61-*M | AWM PVC Yellow 6x18 AWG 105°C 7.3 mm OD Cable #RF50575-*M [†] | flexlife® |  |
| | WSM 61-*M/S739 | ITC PLTC PVC Yellow 7x18 AWG 105°C 7.3 mm OD Cable #RF50637-*M [†] | Shielded cable with drain wire, not connected at plug | |
| | WSM 61-*M/S763 | AWM PVC Black 6x18 AWG 105°C 7.3 mm OD Cable #RF50551-*M [†] | Shielded Cable, with drain wire not connected at plug | |

* Length in Meters. Standard cable lengths are 2, 4, 5, 6, 8 and 10 meters. Consult factory for other lengths.
Standard coupling nut material is nickel plated brass "WSM .."; "WS .." indicates nylon and "WSV .." indicates 316 stainless steel.
[†] See Section N for *reelfast*® cable information.